

HSF

TECHNICAL SPECS:

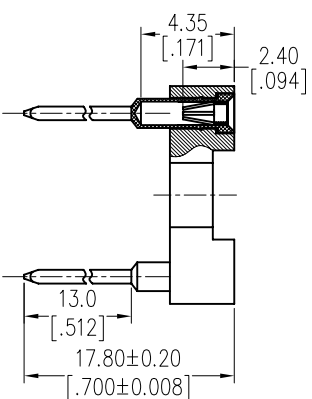
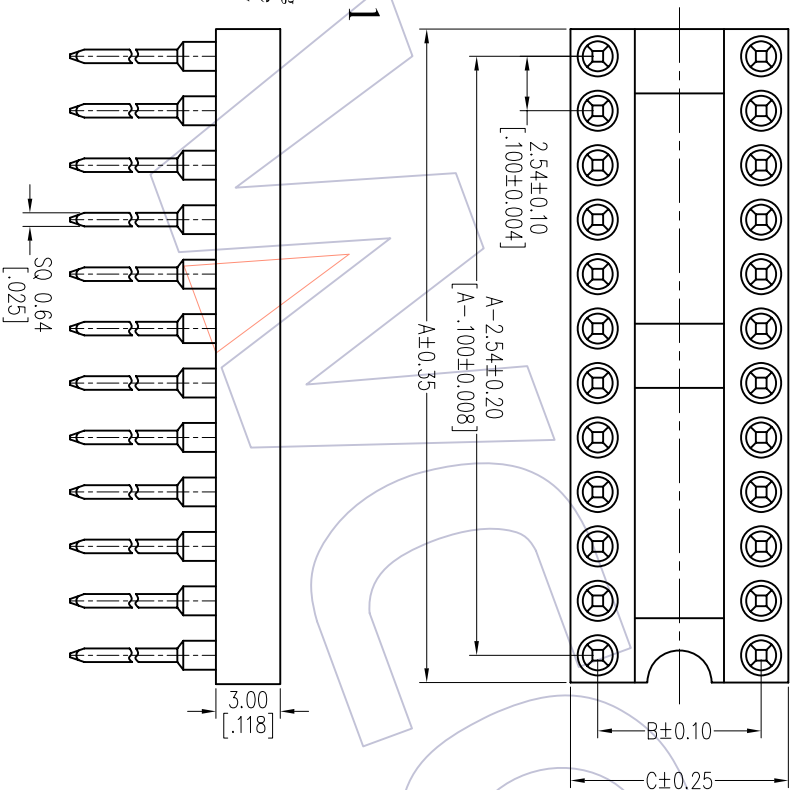
Current Rating: 1.0AMP
 Contact Resistance: 10m Ω Max
 Dielectric Strength: Min 1000VRMS
 Mechanical Life: Min 100 cycles
 Mating Pin: φ0.40 to φ0.56mm
 Forces: (polished steel gauge φ0.43mm)
 Insertion: 200g Max/Pin, Withdrawal: 60g Min/Pin
 Operation Temperature: -40°C to +105°C

Sleeve: Brass CuZn36Pb3(C36000), Sn over Ni
 Contact Clip(4 finger): BeCu(C17200), Au or Sn over Ni
 Insulator Material: PPS+30%G, F(UL94V-0)

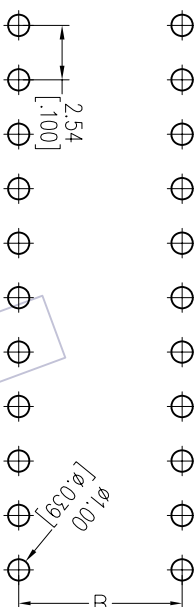
Ordering Information

7110-305 XX S XX 178 X 1

Row of Pitch No. of Pin Contact Plating Packing
 5=22.86mm See tab S0=Gold Flash/Tin T=Tube
 S3=10u"Gold/Tin A=Tray
 S4=15u"Gold/Tin
 S5=30u"Gold/Tin
 SN=Tim



Recommended P.C.B Layout(Top Side)
 (PCB BOARD TOLERANCE±0.05)



Dimensional & Ordering Information

NO. of Poles	Part No.	Dimension		
		A	B	C
50	7110-30550SXXX178X1	63.50	22.86	25.40
52	7110-30552SXXX178X1	66.04	22.86	25.40
64	7110-30564SXXX178X1	81.28	22.86	25.40

REV	DATE	MODIFICATION DESCRIPTION	CHANGE	OPERATION	SCALE	PART NO.	OPERATION	DATE	SCALE	PART NO.
A0	2012/11/02	NEW		XX	mm	SEE TAB	XX	2012/11/02	mm	
				XX XX	A4	TITLE:	JYHuong	DATE	SIZE	2.54mm IC SOCKET 180° IH=3.0 L=17.8 SQUARE PIN Row of Pitch 22.86
				XX XXX	1/1	SHEET	CHECK	DATE	SHEET	
				Angle	PROJ.	Customer NO.	APPROVE	DATE	PROJ.	
				± 3°			DATE			
				DIM						
				TOL						

WCON

Http: www.wcon.com
 WCON-Dongguan Tel: +86 769 85358920 Fax: +86 769 85358915 E-mail: sales@wcon.com
 WCON-Kunshan Tel: +86 512 57468408 Fax: +86 512 57468468 E-mail: sales@wcon.com