

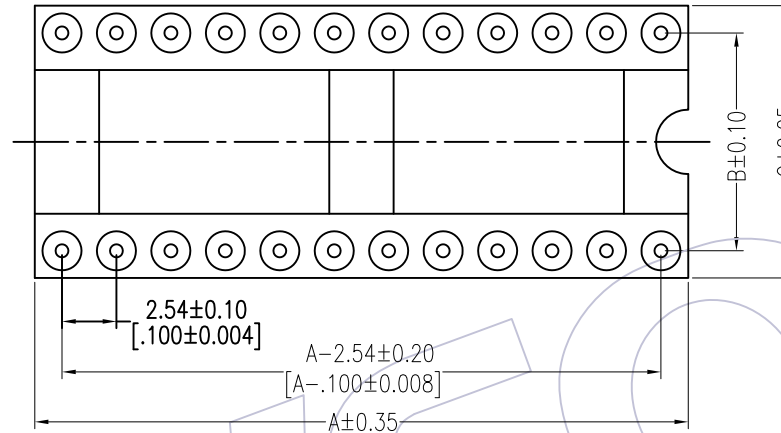
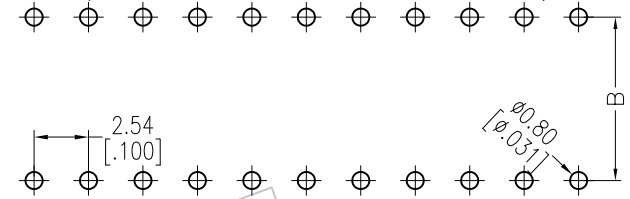
HSF

NOTES:

Current Rating: 1.0AMP
 Contact Resistance: 10mΩ Max
 Withstand Voltage: 1000V AC/DC
 Mechanical Life: Min 100 cycles
 Connecting Pin: φ0.60mm
 Operation Temperature: -40°C to +105°C

Contact Material: Brass CuZn36Pb3(C36000)
 Contact plating: Au over Ni
 Insulator Material: PPS+30%G.F UL94V-0

Recommended P.C.B Layout(Top Side)
 (PCB BOARD TOLERANCE ±0.05)



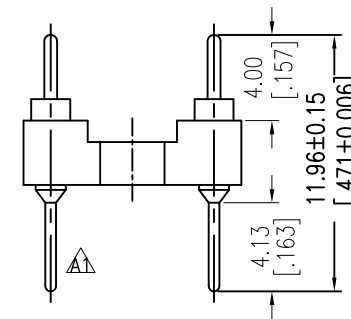
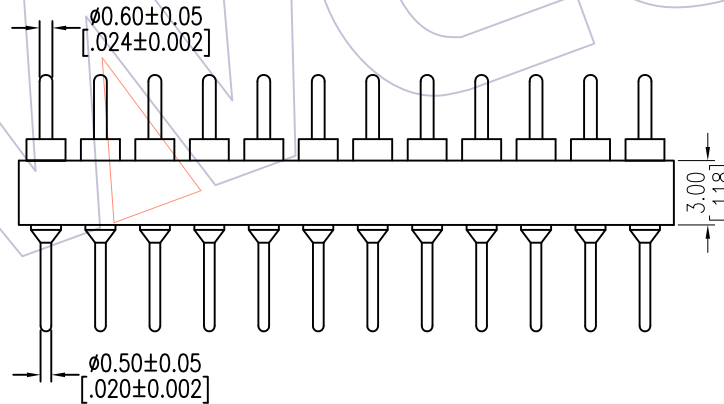
Dimensional & Ordering Information

NO. of Poles	Part No.	Dimension		
		A	B	C
50	3560-30550SXX119X1	63.50	22.86	25.40
52	3560-30552SXX119X1	66.04	22.86	25.40
64	3560-30564SXX119X1	81.28	22.86	25.40

Ordering Information

3560-305 XX S XX 119 X 1

Row of Pitch 5=22.86mm
 No. of Pin See tab
 Contact Plating G0=Gold Flash, G3=10u"Gold, G4=15u"Gold, G5=30u"Gold
 Packing T=Tube, A=Tray



REV	DATE	MODIFICATION DESCRIPTION	CHANGE	OPERATION	DRAW	DATE	SCALE	FIT	PART NO.
				x.x ±0.40	Ding	2017/05/22	UNIT	mm	SEE TAB
A1	2017/05/22	Modify	-----	x.xx ±0.25	CHECK	DATE	SIZE	A4	TITLE:
AO	2012/11/05	NEW	-----	x.xxx ±0.15	APPROVE	DATE	SHEET	1/1	2.54mm MACHINED ADAPTER CONNECTOR 180° H=3.0 L=10.0 Row of Pitch 22.86
				Angle ± 3'			PROJ.	Customer NO.	
				DIM TOL					

WCON

Http: www.wcon.com

WCON-Dongguan Tel: +86 769 85358920 Fax: +86 769 85358915 E-mail: sales@wcon.com
 WCON-Kunshan Tel: +86 512 57468408 Fax: +86 512 57468468 E-mail: salesks@wcon.com