

# HSF

**NOTES:**

- Current Rating: 2.0AMP
- Contact Resistance: 20mΩ Max
- Withstand Voltage: 500V AC/DC
- Insulation Resistance: 1000MΩ Min
- Operation Temperature: -40°C to +105°C
- Contact Material: Phosphor Bronze
- Contact plating: Au over Ni
- Insulator Material: PA9T+30%G.F UL94V-0

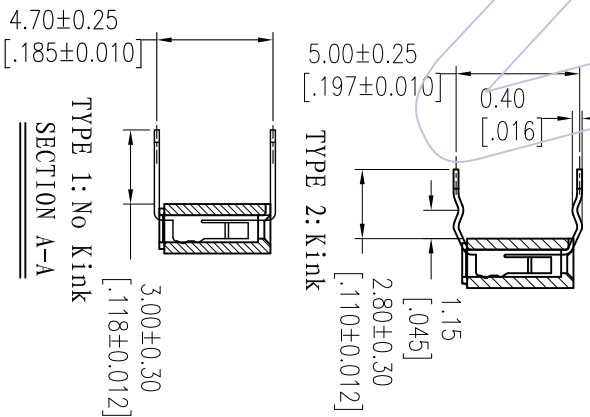
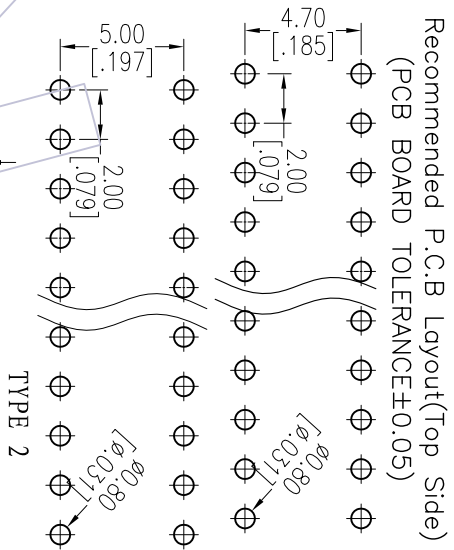
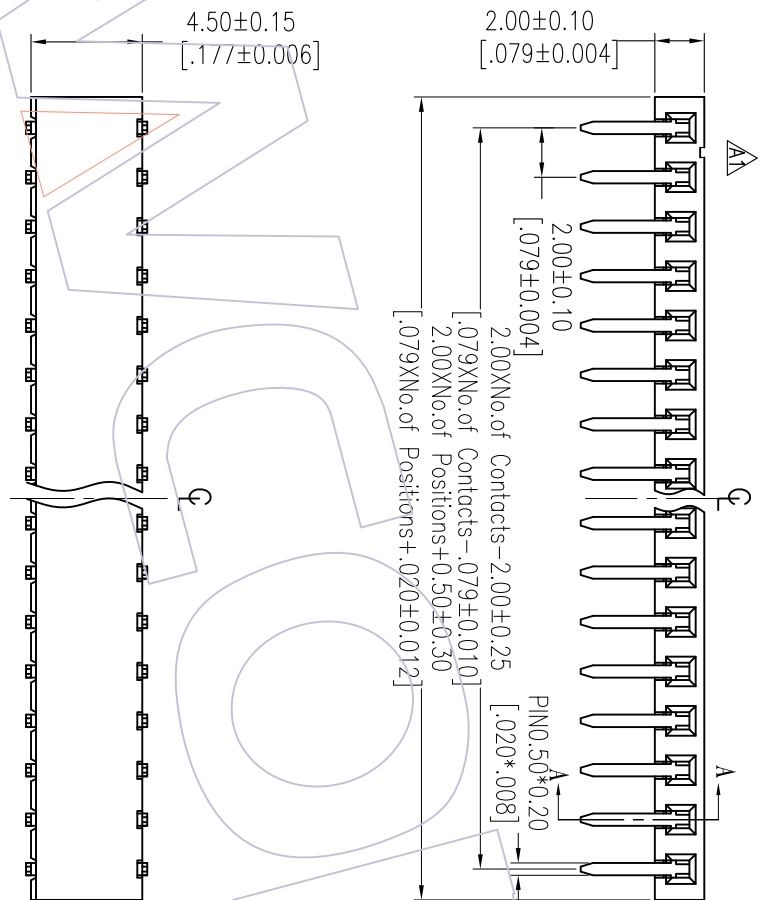
## Ordering Information

2220 - 1 XX R XX CUNT X

No of Pins per ROW: 02-40PIN  
 Contact Plating: GP=Gold Flash  
 G3=10µr Gold  
 G4=15µr Gold  
 G5=30µr Gold

Packaging: T=Tube  
 P=Tube+CAP  
 R=Tape&Reel+CAP

Series: 1=TYPE 1  
 2=TYPE 2



Item	Pitch	Mating
Standard	2.00	1220
Alternate		

TITLE	PART NO.
TYPE 1	2220-1XXRXXCUNT1
TYPE 2	2220-1XXRXXCUNT2

A1	2013/03/26	Modify Drawing	OPERATION	DRAW	DATE	SCALE	FIT	PART NO.
A0	2012/07/16	NEW	X.XX	Wang	2013/03/26	mm	A4	2220-1XXRXXCUNT X
REV	DATE	MODIFICATION DESCRIPTION	ANGLE	APPROVE	DATE	SHEET	PROJ.	TITLE: FH2.00mm SINGLE ROW 90° DIP SIDE ENTER H=2.0
			± 3'			1/1		Customer NO.
			DIM	TOL				

# WCON

Http: www.wcon.com

WCON-Dongguan  
 Tel: +86 769 85358920  
 Fax: +86 769 85358915  
 E-mail: sales@wcon.com

WCON-Kunshan  
 Tel: +86 512 57468408  
 Fax: +86 512 57468468  
 E-mail: sales@wcon.com