



Recommended P.C.B Layout(Top Side)  
(PCB BOARD TOLERANCE±0.05)

NOTES:  
 Current Rating: 2.0AMP  
 Contact Resistance: 20mΩ Max  
 Withstand Voltage: 500V AC/DC  
 Insulation Resistance: 1000MΩ Min  
 Operation Temperature: -40°C to +105°C

Contact Material: Phosphor Bronze  
 Contact plating: Au Or Sn over Ni  
 Insulator Material: PA9T+30%GF UL94V-0

# Ordering Information

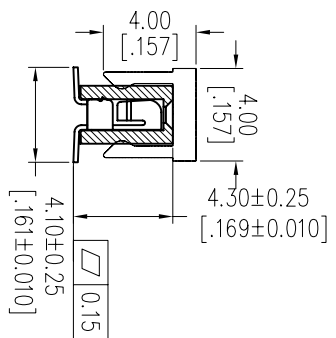
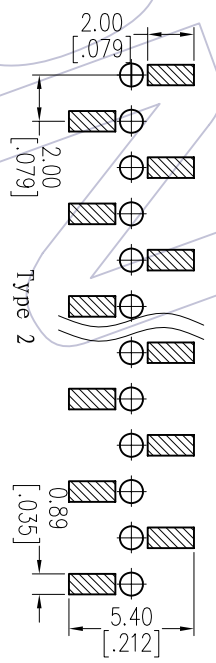
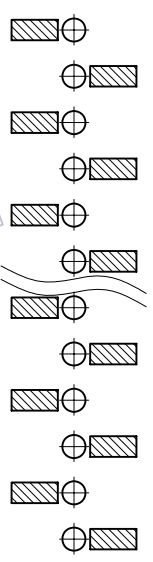
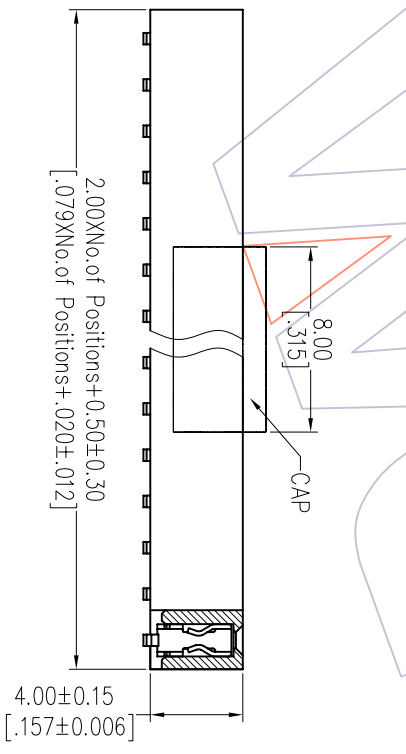
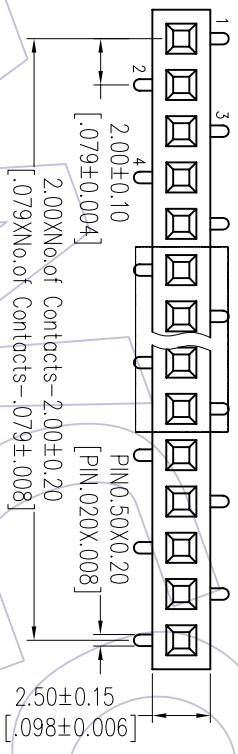
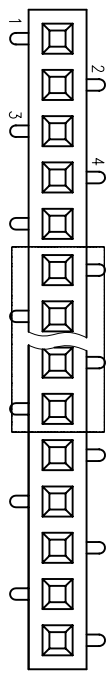
2240-1 XX M XX C U N T X

No. of Pins per ROW:02~40TN  
 Contact Plating:  
 G0=Gold Flash  
 G3=10μr Gold  
 G4=15μr Gold  
 G5=30μr Gold  
 S0=Gold Flash/Tin  
 S3=10μr Gold/Tin  
 S4=15μr Gold/Tin  
 S5=30μr Gold/Tin  
 SN=Tin  
 SM=Mate. Tin

Packing:  
 T=Tube  
 P=Tube+CAP  
 R=Tape&Reel+CAP

Series No.  
 1=Type 1  
 2=Type 2

Item	Pitch	Mating
Standard	2.00	1215/1220
Alternate		



TITLE	PART NO.
TYPE 1	2240-1XXMXXCUNT1
TYPE 2	2240-1XXMXXCUNT2

REV	DATE	MODIFICATION DESCRIPTION	CHANGE
A0	2012/07/16	NEW	

OPERATION	DRAW	DATE	SCALE	FIT
XX	JYHuang	2012/07/16	±0.40	mm
XX	CHECK	DATE	±0.25	A4
XX	APPROVE	DATE	±0.15	1/1
Angle		± 3'		
DIM	TOL			

PART NO.	SBB TABLE
TITLE:	FH2.00mm SINGLE ROW 180° SMT
Customer NO.	H=4.0



Http: www.wcon.com

WCON-Dongguan Tel: +86 769 85358920 Fax: +86 769 85358915 E-mail: sales@wcon.com	WCON-Kunshan Tel: +86 512 57468408 Fax: +86 512 57468468 E-mail: sales@wcon.com
---	--