

HSF

NOTES:

Current Rating: 2.0AMP
 Contact Resistance: 20mΩ Max
 Withstand Voltage: 500V AC/DC
 Insulation Resistance: 1000MΩ Min
 Operation Temperature: -40°C to +105°C

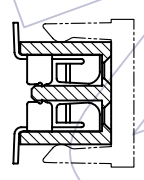
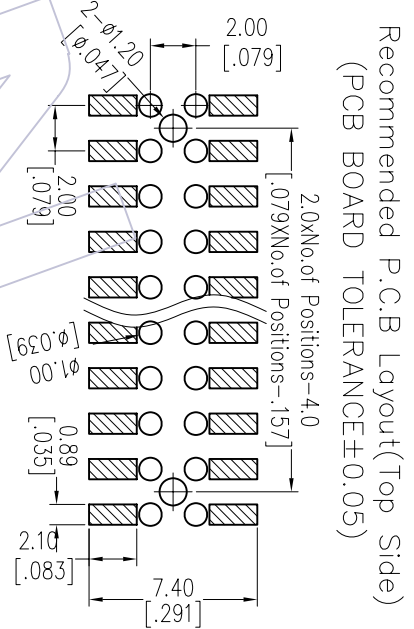
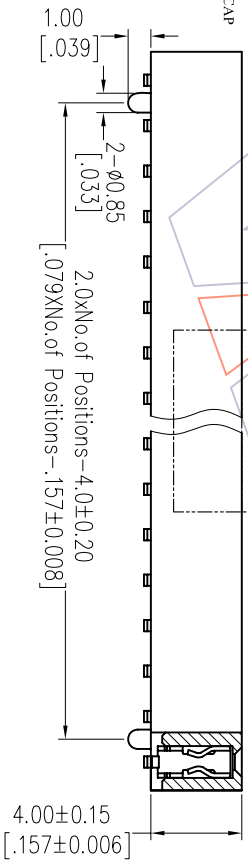
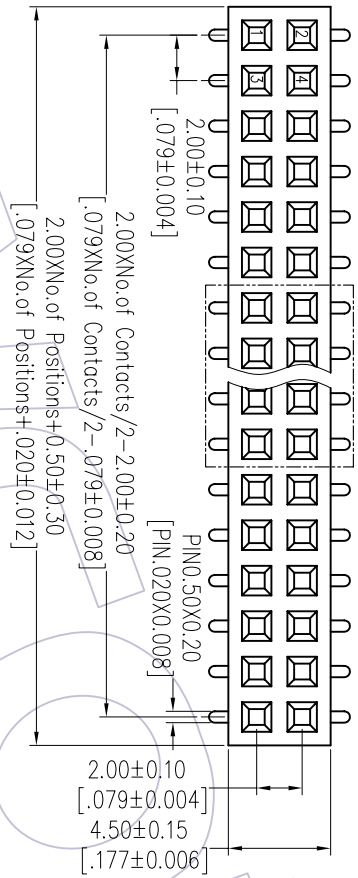
Contact Material: Phosphor Bronze
 Contact plating: Au Or Sn over Ni
 Insulator Material: PA9T+30%G.F UL94V-0

Ordering Information

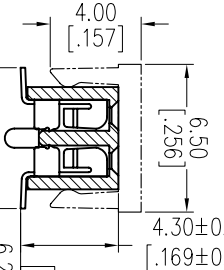
2240 - 2 XX M XX C U N T X

No. of Pins per ROW: 02-40PIN
 Contact Plating: GP=Gold Flash, G3=10μ"Gold, G4=15μ"Gold, G5=30μ"Gold, SP=Gold Flash/Tin, S3=10μ"Gold/Tin, S4=15μ"Gold/Tin, S5=30μ"Gold/Tin, SN=Tin, SW=White Tin
 Packing: T=Tube, P=Tube+CAP, R=Tape&Reel+CAP

Item	Pitch	Mating
Standard	2.00	1215/1220
Alternate		



TYPE 1 W/O POST



TYPE 2 WITH POST

TITLE	PART NO.
TYPE 1	2240-2XXMXXCUNT1
TYPE 2	2240-2XXMXXCUNT2

OPERATION		DRAW		DATE		SCALE		FIT		PART NO.	
XX	±0.40	JYHuog		2012/07/12		mm				SEE TABLE	
XX	±0.25	CHECK		DATE		A4				TITLE: FH2.00 DUAL ROW 180° SMT H=4.0 W=4.5	
X.XXX	±0.15	Angle		DATE		1/1				Customer NO.	
± 3'	TOL	APPROVE		DATE		PROJ.					
CHANGE	DIW										
REV	DATE	MODIFICATION DESCRIPTION									
A0	2012/07/12	NEW									

WCON

Http: www.wcon.com
 WCON-Dongguan Tel: +86 769 85358920 Fax: +86 769 85358915 E-mail: sales@wcon.com
 WCON-Kunshan Tel: +86 512 57468408 Fax: +86 512 57468468 E-mail: sales@wcon.com