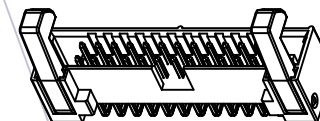
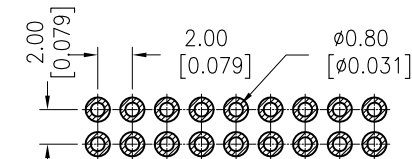
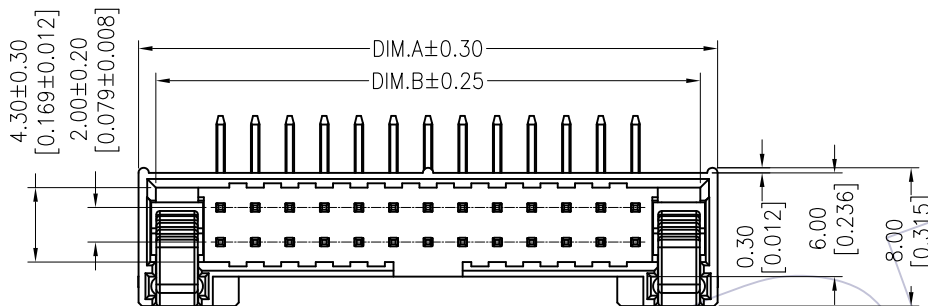


HSF

NOTES:
 Rated Current:1.0AMP
 Contact Resistance:20mΩ max
 Withstand Voltage:500V AC/DC
 Insulation Resistance:1000MΩ min
 Operation Temperature:-40°C to +105°C

Housing Material:PA9T+30%GF(UL94V-0)
 Latch Material:PA9T+30%GF(UL94V-0)
 Contact Material:Brass
 Contact plating:Au or Sn over Ni Plated
 Fixed Axle Material:Brass
 Fixed Axle plating:Ni Plated

Recommended P. C. B Layout (Top Side)
 (PCB BOARD TOLERANCE ±0.05)

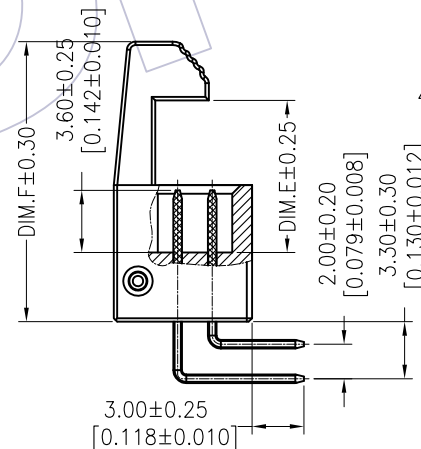
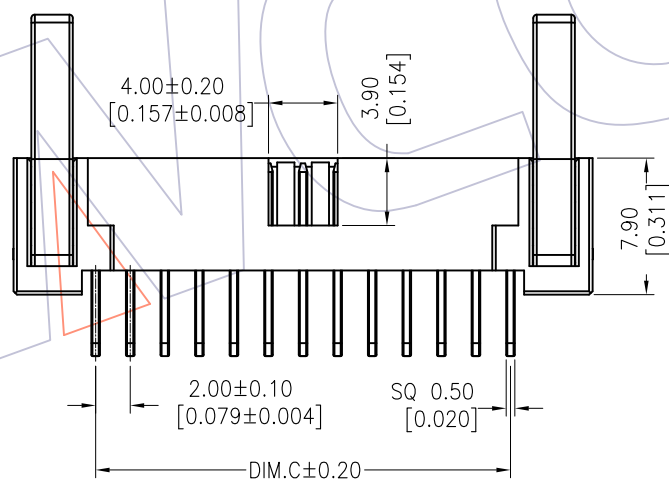


3D VIEW(REF.)
 SCALE 1:2

Ordering Information

3223 - XX R XX B X X 1

No. of Pins	Contact Plating	Insulator Color	Latch Type	Packing
10 34	G0=Gold Flash	B=Black	L=Long Latch	T=Tube
14 40	G3=10u"Gold		S=Short Latch	A=Tray
16 50	G4=15u"Gold			
20 60	G5=30u"Gold			
26 64	S0=Gold Flash/Tin			
30 68	S3=10u"Gold/Tin			
	S4=15u"Gold/Tin			
	S5=30u"Gold/Tin			
	SN=Tin			



PART NO.	DIM.E	DIM.F
3223-XXRXXBLX1	13.10	20.50
3223-XXRXXBSX1	8.80	16.20

No. Of POSITION	DIM.A	DIM.B	DIM.C
10	17.50	15.50	8.00
12	19.50	17.50	10.00
14	21.50	19.50	12.00
16	23.50	21.50	14.00
20	27.50	25.50	18.00
22	29.50	27.50	20.00
24	31.50	29.50	22.00
26	33.50	31.50	24.00
30	37.50	35.50	28.00
34	41.50	39.50	32.00
40	47.50	45.50	38.00
44	51.50	49.50	42.00
48	55.50	53.50	46.00
50	57.50	55.50	48.00
68	75.50	73.50	66.00

REV	DATE	MODIFICATION DESCRIPTION	CHANGE	OPERATION	DRAW	DATE	SCALE	FIT	PART NO.
A1	2016/01/11	MODIFY DRAWING		X.X ±0.40	William Chen	2016/01/11	UNIT	mm	3223-XXRXXBXX1
A0	2013/11/04	NEW		X.XX ±0.25	CHECK	DATE	inch	A4	
				X.XXX ±0.15	APPROVE	DATE	SHEET	1/1	TITLE: 2.00 EJECTOR HEADER R/A
				Angle ± 3'			PROJ.	Customer NO.	
				DIM TOL					

WCON

Http: www.wcon.com

WCON-Dongguan Tel: +86 769 85358920
 WCON-Kunshan Tel: +86 512 57468408
 Fax: +86 769 85358915
 Fax: +86 512 57468468
 E-mail: sales@wcon.com
 E-mail: salesks@wcon.com