

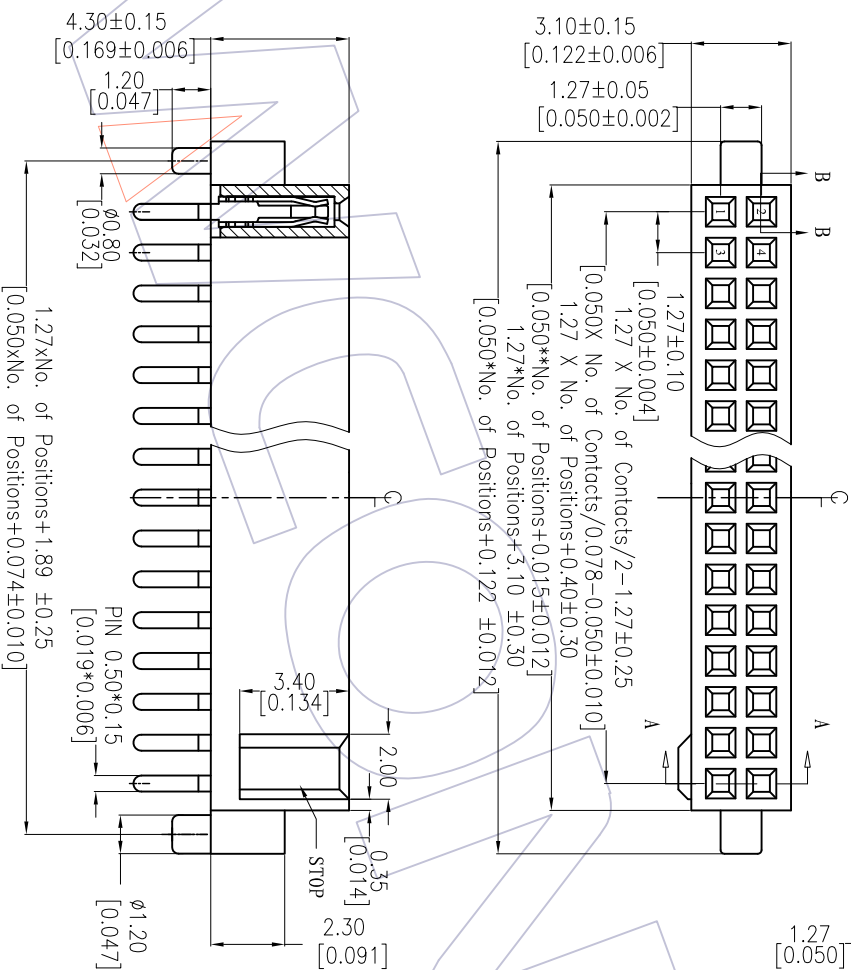
# HSF

NOTES:  
 Current Rating: 1.0AMP  
 Withstand Voltage: 500V AC/DC  
 Contact Resistance: 20mΩ Max  
 Insulation Resistance: 1000MΩ/Min  
 Operation Temperature: -40C to +105C  
 Contact Material: Phosphor Bronze  
 Contact plating: Au or Sn over Ni  
 Insulator Material: PA9T+30%G.F UL94-V0

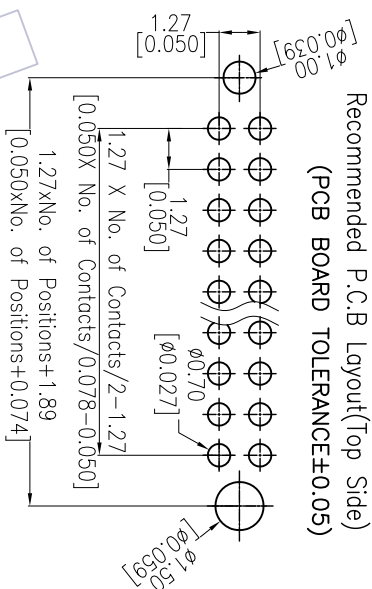
## Ordering Information

2344 - 2 XX S XX CUNT 4

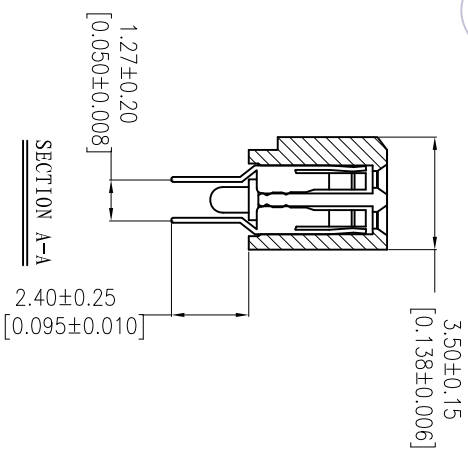
No. of Pins per ROW=02-50PIN  
 Contact Plating: GP=Gold Flash  
 G3=10μGold  
 G4=15μGold  
 G5=30μGold  
 S0=Gold Plater/Tin  
 S3=10μGold/Tin  
 S4=15μGold/Tin  
 S5=30μGold/Tin  
 SN=Tin  
 Packing: T=Tray



SECTION B-B



Recommended P.C.B Layout (Top Side)  
 (PCB BOARD TOLERANCE±0.05)



SECTION A-A

REV	DATE	MODIFICATION DESCRIPTION	CHANGE	OPERATION	DRAW	DATE	SCALE	FIT	PART NO.	TITLE:	WCON-Dongguan	WCON-Kunshan
A0	2012/07/20	NEW		XX ±0.40	Tang	2012/07/20	mm	A4	2344-2XXSXXCUNT4	FI1. 27mm DIAL 180° H=4.30 WITH DIFFERENT POST AND BLIMP	Tel: +86 769 85358920 Fax: +86 769 85358915 E-mail: sales@wcon.com	Tel: +86 512 57468408 Fax: +86 512 57468468 E-mail: sales@wcon.com
				XXX ±0.25	CHECK	DATE	SIZE	1/1			Http: www.wcon.com	
				XXXX ±0.15	APPROVE	DATE	SHEET					
				Angle ± 3'	PROJ.		Customer NO.					

# WCON

WCON-Dongguan  
 Tel: +86 769 85358920  
 Fax: +86 769 85358915  
 E-mail: sales@wcon.com

WCON-Kunshan  
 Tel: +86 512 57468408  
 Fax: +86 512 57468468  
 E-mail: sales@wcon.com