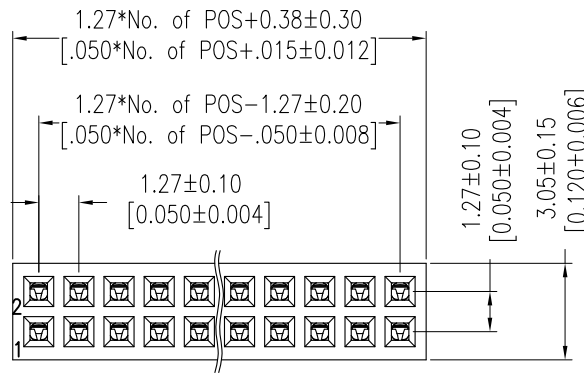
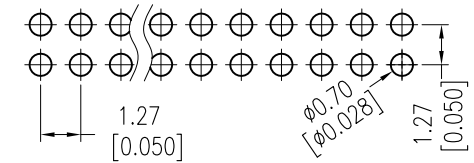


# HSF

NOTES:  
 Current Rating: 1.0AMP  
 Contact Resistance: 20mΩ Max  
 Withstand Voltage: 500V AC/DC  
 Insulation Resistance: 1000MΩ Min  
 Operation Temperature: -40°C to +105°C  
 Contact Material: Phosphor Bronze  
 Contact plating: Au Or SN over Ni  
 Insulator Material: LCP+30%GF UL94V-0



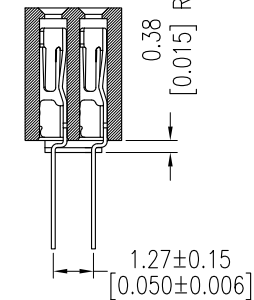
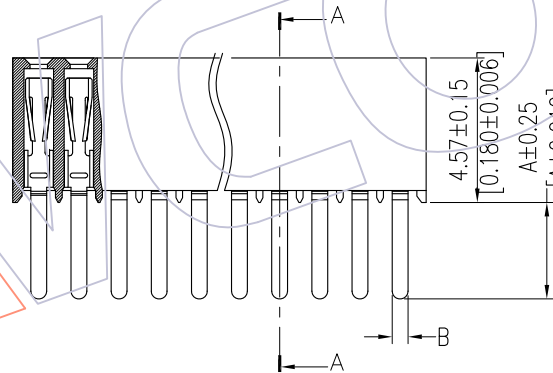
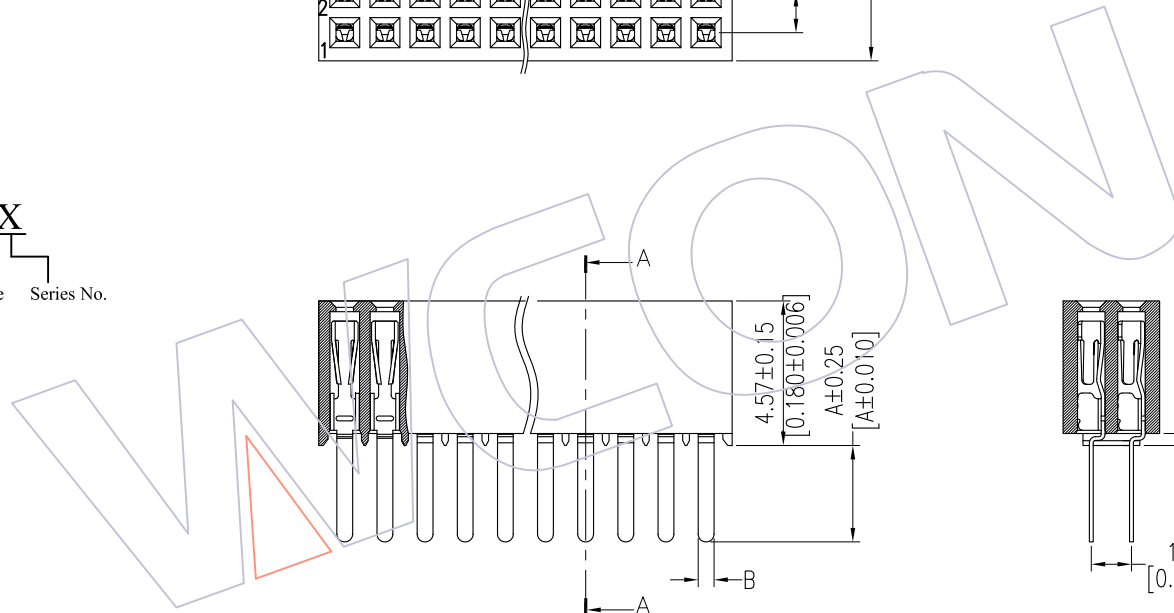
Recommended P.C.B Layout(Top Side)  
 (PCB BOARD TOLERANCE: ±0.05)



## Ordering Information

2345- 2 XX S XX DUN X X

No. of Pins Per Row 05-50 Pin  
 Contact Plating  $\Delta$   
 S0=Gold Flash on Contact Tin on Tail  
 S3=10u" Gold on Contact Tin on Tail  
 S5=30u" Gold on Contact Tin on Tail  
 W0=Gold Flash on Contact Matte Tin on Tail  
 W3=10u" Gold on Contact Matte Tin on Tail  
 W5=30u" Gold on Contact Matte Tin on Tail  
 Package T=Tube  
 Series No.



SECTION A-A

PART NO.	A	B
2345-2XXSXXDUNX1	3.05	0.50
2345-2XXSXXDUNX2	1.91	0.41

REV	DATE	MODIFICATION DESCRIPTION	CHANGE	OPERATION	DRAW	DATE	SCALE	FIT	PART NO.
				X.X	±0.40	Surong Xu	2017/03/16	UNIT	mm
A1	2017/03/16	Modify Plating	$\Delta$	X.XX	±0.25	CHECK	DATE	SIZE	A4
A0	2015/07/28	NEW	-----	X.XXX	±0.15	APPROVE	DATE	SHEET	1/1
				Angle	± 3'			PROJ.	Customer NO.
				DIM	TOL				

**WCON**  
 Http: www.wcon.com

WCON-Dongguan      WCON-Kunshan  
 Tel: +86 769 85358920      Tel: +86 512 57468408  
 Fax: +86 769 85358915      Fax: +86 512 57468468  
 E-mail: sales@wcon.com      E-mail: salesks@wcon.com