

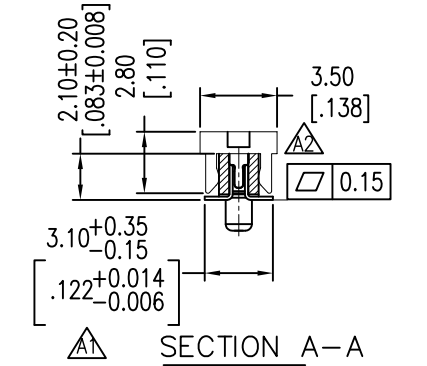
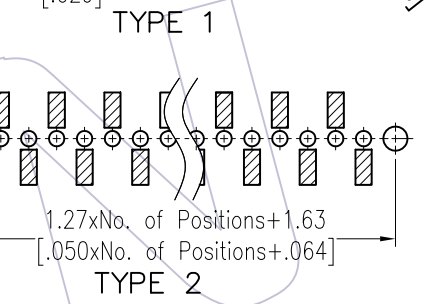
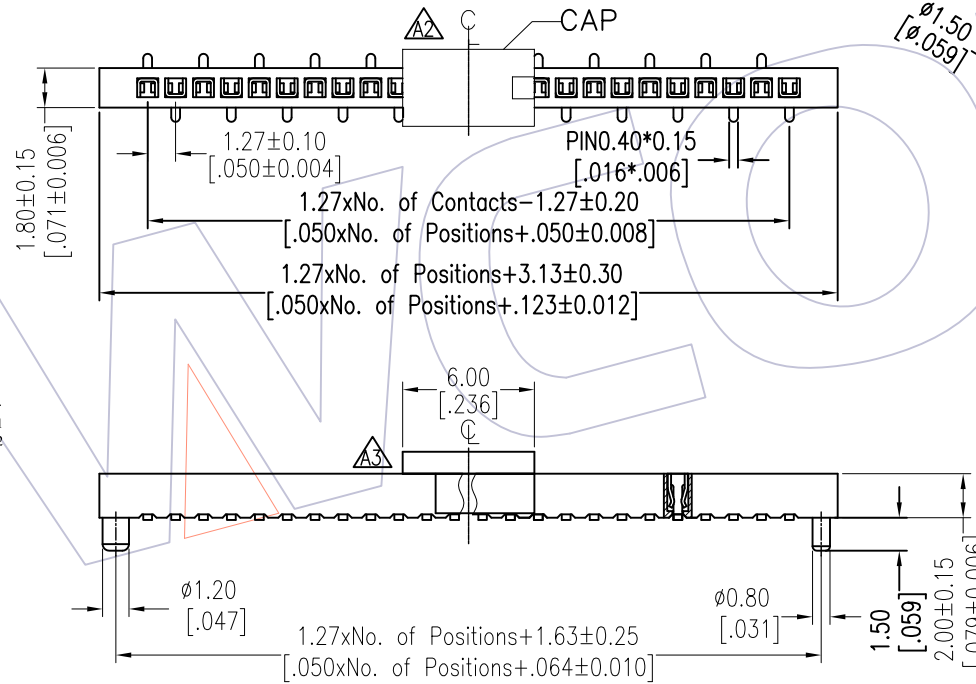
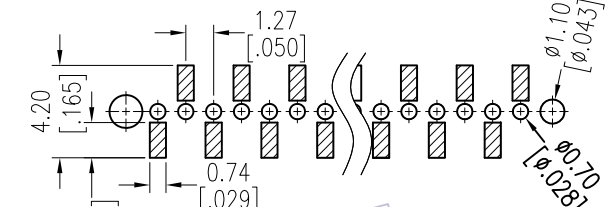
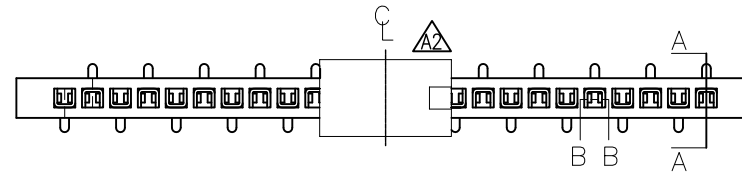
HSF

NOTES:

Current Rating: 1.0AMP
 Contact Resistance: 20mΩ Max
 Withstand Voltage: 500V AC/DC
 Insulation Resistance: 1000MΩ Min
 Operation Temperature: -40°C to +105°C

Contact Material: Phosphor Bronze
 Contact plating: Au over Ni
 Insulator Material: PA9T+33%GF UL94V-0

Recommended P.C.B Layout (Top Side)
 (PCB BOARD TOLERANCE ±0.05)



SECTION B-B

SECTION A-A

Ordering Information

2320T - 1 XX M XX CUN X X

No. of Pins per ROW: 02-50PIN
 Contact Plating: G0=Gold Flash, G3=10μ"Gold, G4=15μ"Gold, G5=30μ"Gold
 Packing: T=Tube, R=Tape&Reel+CAP, P=Tube+CAP
 Series No. 1=TYPE 1, 2=TYPE 2

Item	Pitch	Mating
Standard	1.27	1310/1315/1320
Alternate		

REV	DATE	MODIFICATION DESCRIPTION	CHANGE	OPERATION	DRAW	DATE	SCALE	FIT	PART NO.
A3	2017/04/14	MODIFY CAP	Δ3	x.x	Surong Xu	2017/04/14	UNIT	mm	SEE TABLE
A2	2016/12/15	MODIFY CAP	Δ2	x.xx	CHECK	DATE	SIZE	A4	TITLE: FH1.27mm Single Row SMT H=2.0 With different post
A1	2013/05/28	Modify drawing 3.10±0.25 → 3.10 ^{+0.35} / _{-0.15}	-----	x.xxx	APPROVE	DATE	SHEET	1/1	Customer NO.
A0	2012/07/05	NEW	-----	Angle			PROJ.		
				DIM					

TYPE	PART NO.
TYPE 1	2320T-1XXMXXCUNX1
TYPE 2	2320T-1XXMXXCUNX2

WCON
 Http: www.wcon.com

WCON-Dongguan
 Tel: +86 769 85358920
 Fax: +86 769 85358915
 E-mail: sales@wcon.com

WCON-Kunshan
 Tel: +86 512 57468408
 Fax: +86 512 57468468
 E-mail: salesks@wcon.com