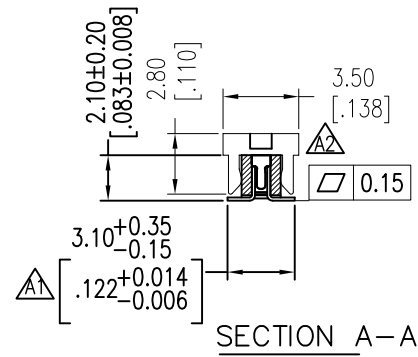
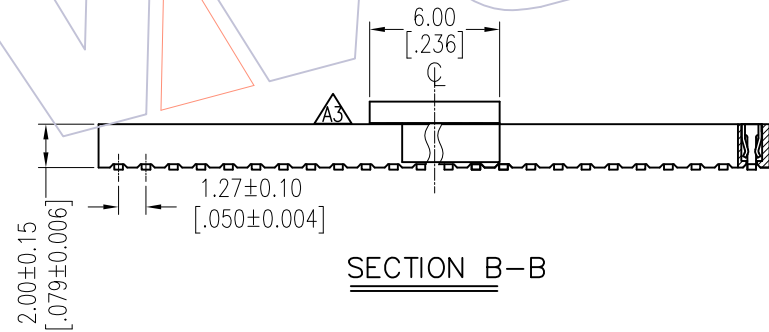
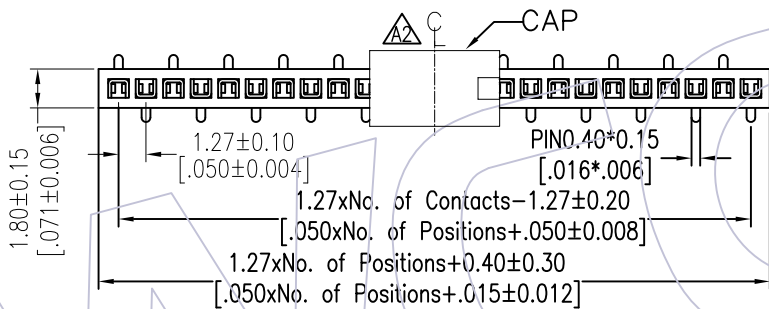
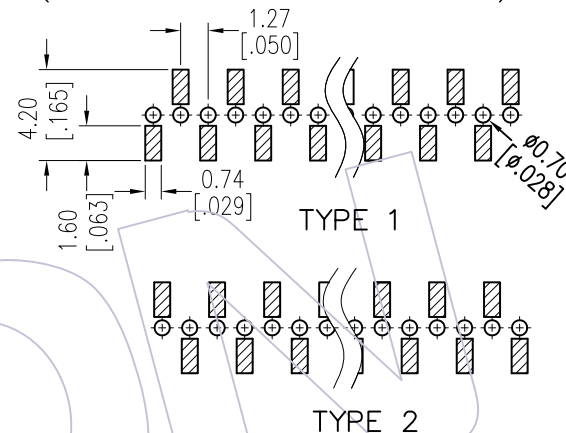
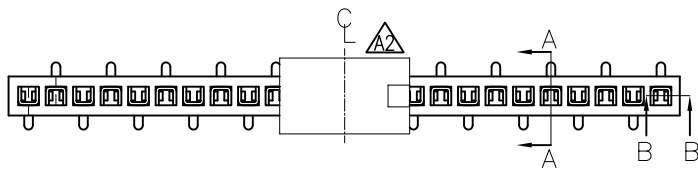


# HSF

NOTES:  
 Current Rating: 1.0AMP  
 Contact Resistance: 20mΩ Max  
 Withstand Voltage: 500V AC/DC  
 Insulation Resistance: 1000MΩ Min  
 Operation Temperature: -40°C to +105°C

Contact Material: Phosphor Bronze  
 Contact plating: Au over Ni  
 Insulator Material: PA9T+33%GF UL94V-0

Recommended P.C.B Layout(Top Side)  
 (PCB BOARD TOLERANCE ±0.05)



## Ordering Information

2320T - 1 XX M XX CUN X X

No. of Pins per ROW: 02-50PIN  
 Contact Plating: G0=Gold Flash, G3=10μ"Gold, G4=15μ"Gold, G5=30μ"Gold  
 Packing: T=Tube, R=Tape&Reel+CAP, P=Tube+CAP  
 Series No. 3=TYPE 1, 4=TYPE 2

Item	Pitch	Mating
Standard	1.27	1310/1315/1320
Alternate		

TYPE	PART NO.
TYPE 1	2320T-1XXMXXCUNX3
TYPE 2	2320T-1XXMXXCUNX4

REV	DATE	MODIFICATION DESCRIPTION	CHANGE	DIM	TOL	APPROVE	DATE	PROJ.
A3	2017/04/14	MODIFY CAP	A3	OPERATION		DRAW	DATE	SCALE
A2	2016/12/15	MODIFY CAP	A2	x.x ±0.40		Surong Xu	2016/12/15	UNIT
A1	2013/05/28	Modify drawing 3.10±0.25 → 3.10 <sup>+0.35</sup> <sub>-0.15</sub>	A1	x.xx ±0.25		CHECK	DATE	SIZE
A0	2012/07/05	NEW	----	x.xxx ±0.15		APPROVE	DATE	SHEET
				Angle ± 3'				1/1
								PROJ.

PART NO.	TITLE:
SEE TABLE	FH1.27mm Single Row SMT Without Post H=2.0
	Customer NO.

**WCON**  
 Http: www.wcon.com  
 WCON-Dongguan Tel: +86 769 85358920 Fax: +86 769 85358915 E-mail: sales@wcon.com  
 WCON-Kunshan Tel: +86 512 57468408 Fax: +86 512 57468468 E-mail: salesks@wcon.com