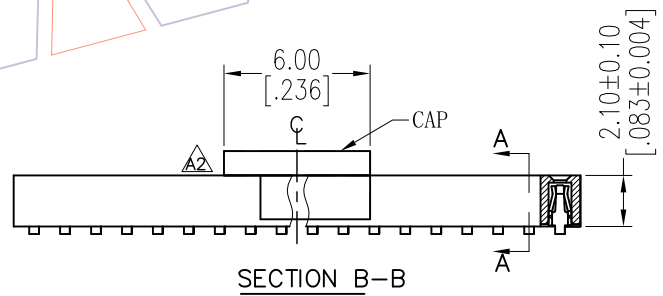
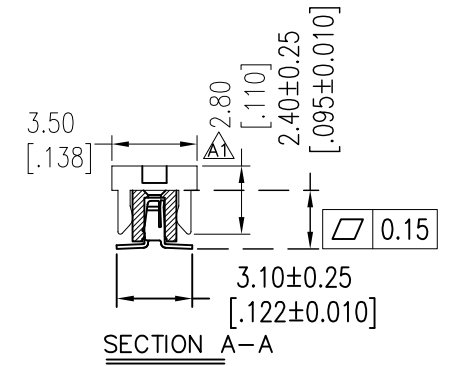
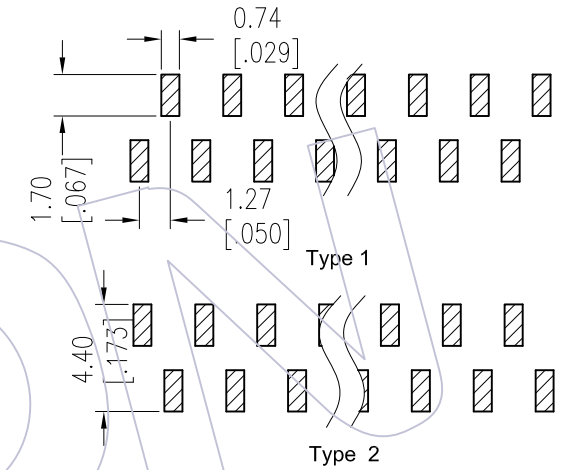
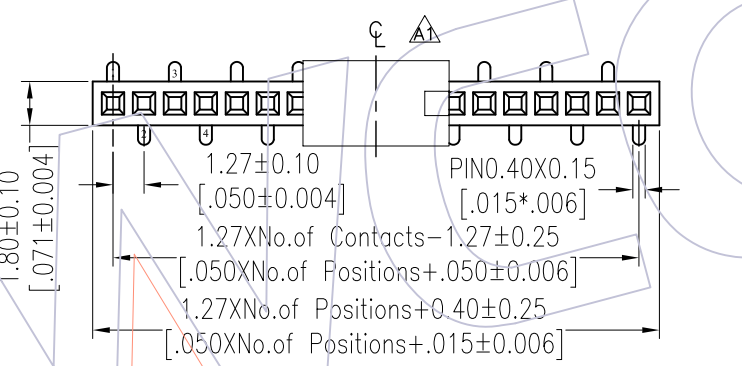
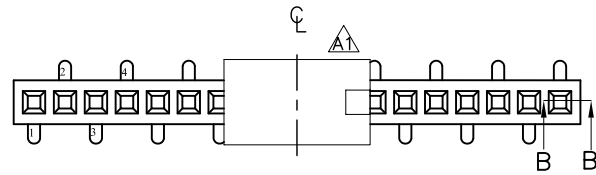


# HSF

Recommended P.C.B Layout(Top Side)  
(PCB BOARD TOLERANCE±0.05)

NOTES:  
Current Rating: 1.0AMP  
Contact Resistance: 20mΩ Max  
Withstand Voltage: 500V AC/DC  
Insulation Resistance: 1000MΩ Min  
Operation Temperature: -40°C to +105°C

Contact Material:Phosphor Bronze  
Contact plating:Au over Ni  
Insulator Material:PA9T+33%GF UL94V-0



## Ordering Information

2321 - 1 XX M XX CUN X X

No. of Pins per ROW:02-50PIN

Contact Plating:  
G0=Gold Flash  
G3=10μ"Gold  
G4=15μ"Gold  
G5=30μ"Gold

Packing:  
T=Tube  
R=Tape&Reel+CAP  
P=Tube+CAP

Series No.  
1=TYPE 1  
2=TYPE 2

Item	Pitch	Mating
Standard	1.27	1310/1315/1320
Alternate		

TYPE	PART NO.
TYPE 1	2321-1XXMXXCUNX1
TYPE 2	2321-1XXMXXCUNX2

REV	DATE	MODIFICATION DESCRIPTION	CHANGE	OPERATION	DRAW	DATE	SCALE	FIT	PART NO.
A2	2017/04/14	MODIFY CAP	△	x.x ±0.40	Surong Xu	2017/04/14	UNIT	mm	SEE TABLE
A1	2016/12/15	MODIFY CAP	△	x.xx ±0.25	CHECK	DATE	SIZE	A4	TITLE: 1.27mm SINGLE FEMALE HEADER SMT H=2.10
A0	2012/07/05	NEW	-----	x.xxx ±0.15	APPROVE	DATE	SHEET	1/1	Customer NO.
				Angle ± 3°			PROJ.		
				DIM TOL					

**WCON**  
Http: www.wcon.com

WCON-Dongguan  
Tel: +86 769 85358920  
Fax: +86 769 85358915  
E-mail: sales@wcon.com

WCON-Kunshan  
Tel: +86 512 57468408  
Fax: +86 512 57468468  
E-mail: salesks@wcon.com