

HSF

NOTES:

Voltage Rating: 50V AC/DC
 Current Raing: 0.5AMP
 Contact Resistance: 20mΩ max
 Withstand Voltage: 500V AC/Minute
 Insulation Resistance: 500MΩ min
 Operation Temperature: -40°C to +105°C

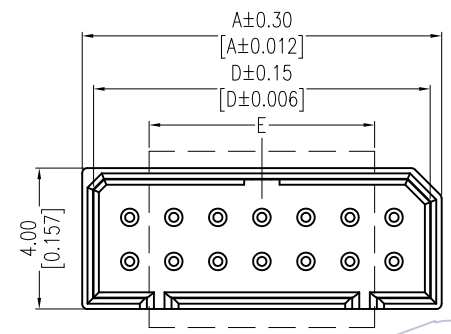
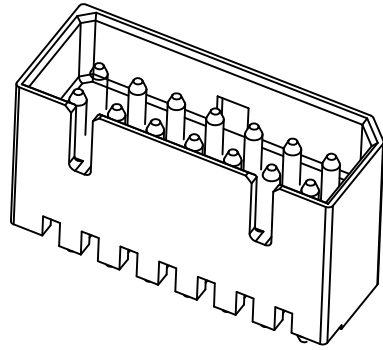
Contact Material: Brass
 Contact Plating: Sn OR Au OVER Nickel
 Insulator Material: PA9T+33%GF UL94V-O BLACK

Ordering Information

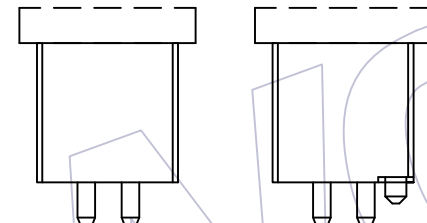
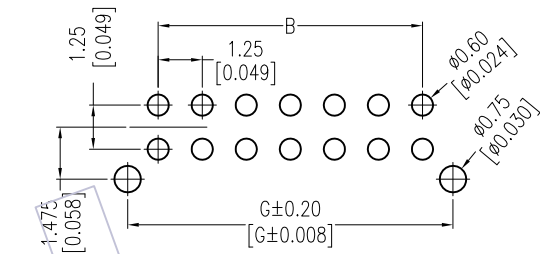
3651- P XXX - XXX XX R0X

No.of Pins	Height of Housing	Plating	Packing
006: 06 Pin	039: 3.95	G0=Gold Flash	R=Tape&Reel
010: 10 Pin	054: 5.45	G3=10u"Gold	
012: 12 Pin	059: 5.95	G4=15u"Gold	
014: 14 Pin	093: 9.35	G5=30u"Gold	
016: 16 Pin		SM=Matle Tin	
018: 18 Pin			
020: 20 Pin			
022: 22 Pin			
024: 24 Pin			

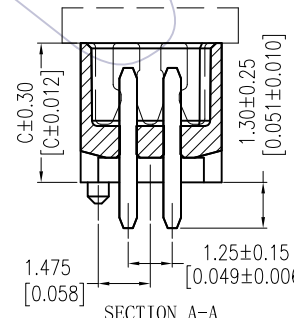
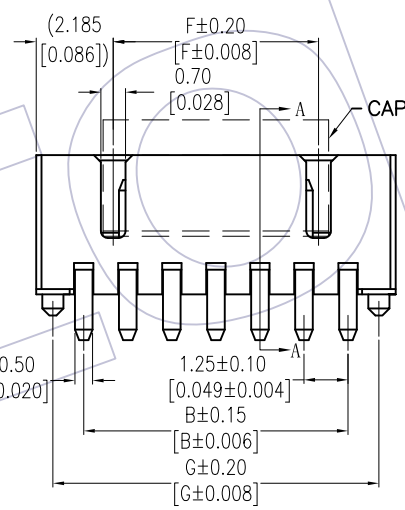
Pos	Part No.	E
6-10PIN	CAP3651-G202	3.60
12-24PIN	CAP3651-G201	6.40



Recommended P.C.B Layout (Top Side)
 (PCB BOARD TOLERANCE ±0.05)

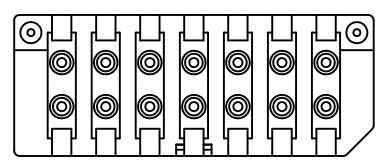
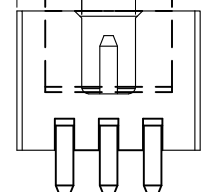


1.84 [0.072] 1.53 [0.060]



3651-PXXX-XXXXXR04	W/O POST
3651-PXXX-XXXXXR03	W/T POST

Pos.	A	B	C	D	F	G
24	16.45	13.75		15.80	12.08	15.45
22	15.20	12.50		14.55	10.83	14.20
20	13.95	11.25	9.35	13.30	9.58	12.95
18	12.70	10.00	5.95	12.05	8.33	11.70
16	11.45	8.75	5.45	10.80	7.08	10.45
14	10.20	7.50	3.95	9.55	5.83	9.20
12	8.95	6.25		8.30	4.58	7.95
10	7.70	5.00		7.05	3.33	6.70
6	5.20	2.50		4.55		4.20



REV	DATE	MODIFICATION DESCRIPTION	CHANGE	OPERATION	DRAW	DATE	SCALE	FIT	PART NO.
				X.X ±0.40	DingWenMin	2016.10.25	UNIT mm		3651-PXXX-XXXXXR0X
				X.XX ±0.25	CHECK	DATE	SIZE A4		TITLE:
A0	2016/10/25	NEW	----	X.XXX ±0.15	APPROVE	DATE	SHEET 1/1		1.25mm BTB MALE , 180° DIP TYPE
				Angle ± 3'			PROJ.		Customer NO.
				DIM TOL					



Http: www.wcon.com

WCON-Dongguan Tel: +86 769 85358920 Fax: +86 769 85358915 E-mail: sales@wcon.com	WCON-Kunshan Tel: +86 512 57468408 Fax: +86 512 57468468 E-mail: salesks@wcon.com
---	--