

HSF

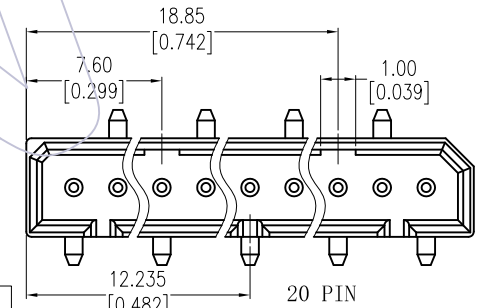
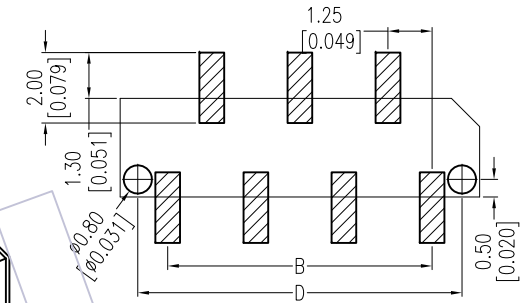
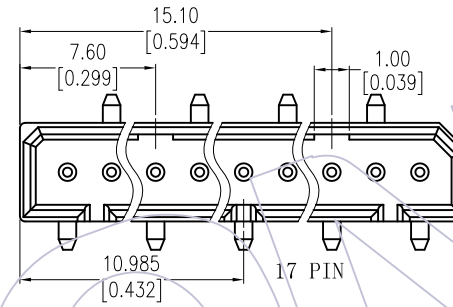
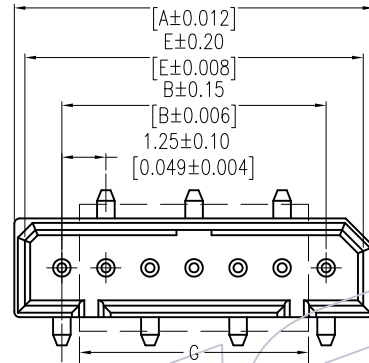
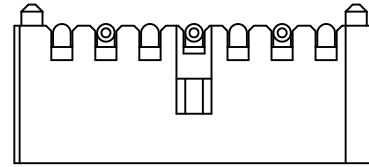
NOTES:

Voltage Rating: 50V AC/DC
 Current Raing: 0.5AMP
 Contact Resistance: 20mΩ max
 Withstand Voltage: 500V AC/Minute
 Insulation Resistance: 500MΩ min
 Operation Temperature: -40°C to +105°C

Contact Material: Brass
 Contact Plating: 100~200u"Matte Tin Plated Over
 50~100u" Nickel
 Insulator Material: PA9T+33%GF UL94V-O BLACK

Recommended P. C. B Layout (Top Side)
 (PCB BOARD TOLERANCE ±0.05)

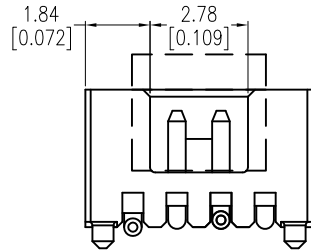
5~10 PIN



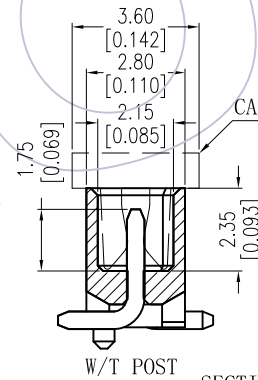
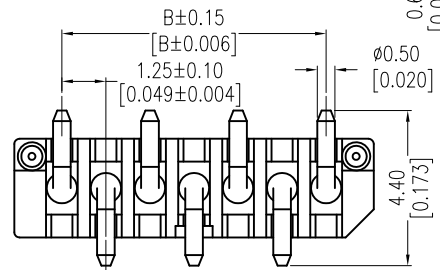
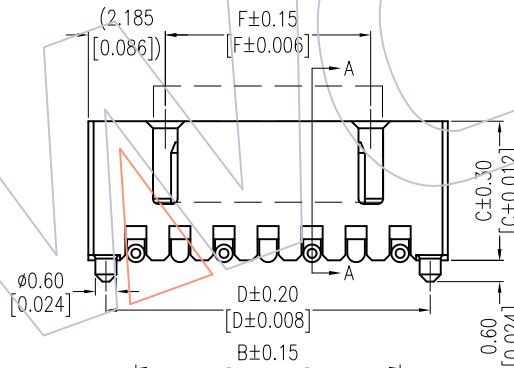
Ordering Information

3652- P XXX - XXX XX R0X

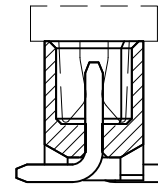
No.of Pins	Height of Housing	Plating	Packing
004: 04 Pin	039: 3.95	G0=Gold Flash	R=Tape&Reel
005: 05 Pin	059: 5.95	G3=10u"Gold	
006: 06 Pin		G4=15u"Gold	
007: 07 Pin		G5=30u"Gold	
008: 08 Pin		SM=Matle Tin	
010: 10 Pin			
017: 17 Pin			
020: 20 Pin			



4PIN

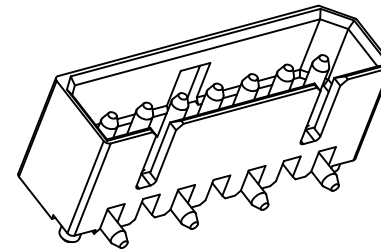


W/T POST



W/O POST

SECTION A-A



Pos	Part No.	DIM G
4-5PIN	CAP3652-G102	3.80
6-20PIN	CAP3652-G101	6.50

3652-PXXX-XXXXXR01	W/O POST	
3652-PXXX-XXXXXR02	W/T POST	
22.08	25.85	25.45
18.33	22.10	21.70
9.58	13.35	12.95
7.08	10.85	10.45
5.83	9.60	9.20
4.58	8.35	7.95
3.33	7.10	6.70
2.78	5.85	5.45
F	E	D

23.75		26.45		20	
20.00		22.70		17	
11.25		13.95		10	
8.75		11.45		8	
7.50		10.20		7	
6.25		8.95		6	
5.00		7.70		5	
3.75		6.45		4	
B	A	PIN数			

REV	DATE	MODIFICATION DESCRIPTION	CHANGE	OPERATION		DRAW	DATE	SCALE	FIT	PART NO.
				X.X	±0.40					
				X.XX	±0.25	CHECK	DATE	SIZE	A4	TITLE:
				X.XXX	±0.15	APPROVE	DATE	SHEET	1/1	1.25mm BTB MALE CONN, SMT TYPE
				Angle	± 3'			PROJ.	Customer NO.	
				DIM	TOL					

WCON

Http: www.wcon.com

WCON-Dongguan Tel: +86 769 85358920 Fax: +86 769 85358915 E-mail: sales@wcon.com
 WCON-Kunshan Tel: +86 512 57468408 Fax: +86 512 57468468 E-mail: salesks@wcon.com