

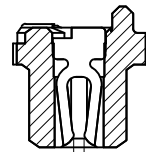
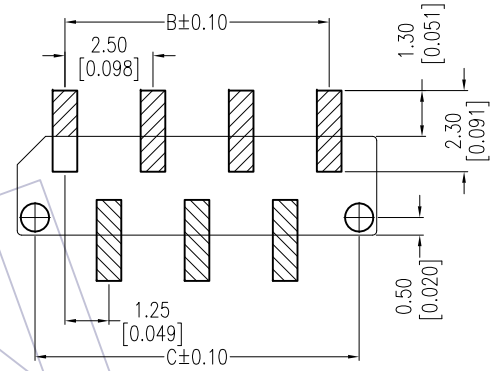
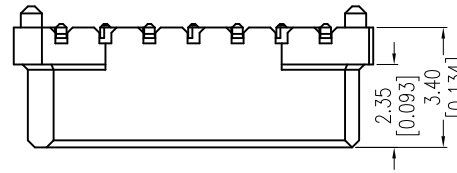
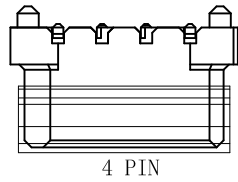
# HSF

**NOTES:**

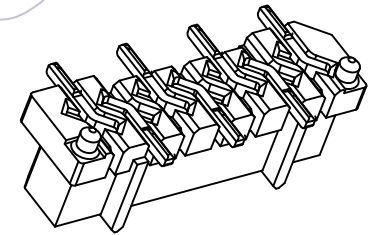
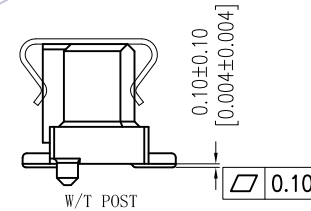
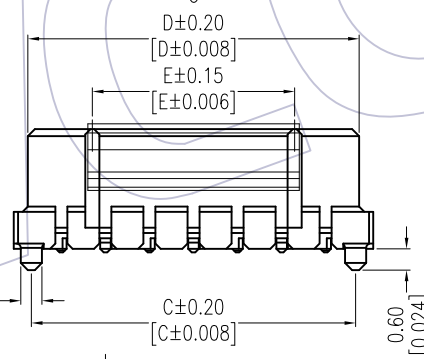
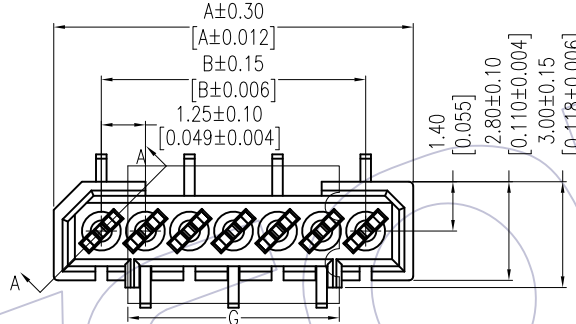
Voltage Rating: 50V AC/DC  
 Current Raing: 0.5AMP  
 Contact Resistance: 20mΩ max  
 Withstand Voltage: 500V AC/Minute  
 Insulation Resistance: 500MΩ min  
 Operation Temperature: -40°C to +105°C

Contact Material: Phosphor Bronze  
 Contact Plating: 100~200u" Tin Plated Over  
 50~80u" Nickel  
 Insulator Material: PA9T+33%GF UL94V-0 BLACK

Recommended P. C. B Layout (Top Side)  
 (PCB BOARD TOLERANCE ±0.05)



0.30±0.15 [0.012±0.006]



3652-SXXX-034SNR05	W/O POST
3652-SXXX-034SNR06	W/T POST

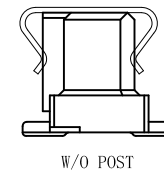
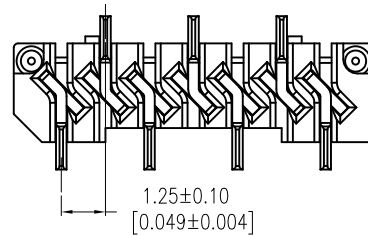
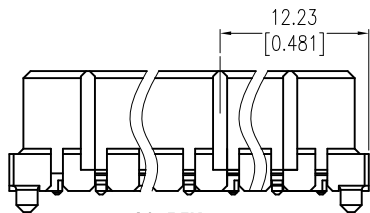
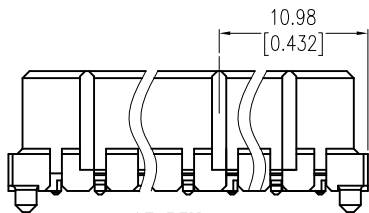
## Ordering Information

3652- S XXX - 034 XX R0X

No.of Pins  
 004: 04 Pin  
 005: 05 Pin  
 006: 06 Pin  
 007: 07 Pin  
 008: 08 Pin  
 010: 10 Pin  
 017: 17 Pin  
 020: 20 Pin

Plating  
 G0=Gold Flash  
 G3=10u"Gold  
 G4=15u"Gold  
 G5=30u"Gold  
 SN=Tin

Packing  
 R=Tape&Reel



Pos	PART NO.	DIM G
4-7PIN	CAP2521-M201	6.00
17-20PIN	CAP2521-M201	6.00

21.99	25.65	25.45	23.75	26.45	20
18.24	21.90	21.70	20.00	22.70	17
9.49	13.15	12.95	11.25	13.95	10
6.99	10.65	10.45	8.75	11.45	8
5.74	9.40	9.20	7.50	10.20	7
4.49	8.15	7.95	6.25	8.95	6
3.24	6.90	6.70	5.00	7.70	5
1.99	5.65	5.45	3.75	6.45	4
E	D	C	B	A	PIN. NO.

REV	DATE	MODIFICATION DESCRIPTION	CHANGE	OPERATION		DRAW		DATE		SCALE		FIT		PART NO.	
				X.X	±0.40	DingWenMin	2016.10.20	UNIT	mm	SIZE	A4	TITLE:			
A0	2016.10.20	NEW	----	X.XX	±0.25	CHECK								3652-S017-034SNR0X	
			----	X.XXX	±0.15	APPROVE								1.25mm BTB FEMALE , 180° SMT, H=3.4	
				Angle	± 3'									Customer NO.	
				DIM	TOL										

**WCON**  
 Http: www.wcon.com

WCON-Dongguan  
 Tel: +86 769 85358920  
 Fax: +86 769 85358915  
 E-mail: sales@wcon.com

WCON-Kunshan  
 Tel: +86 512 57468408  
 Fax: +86 512 57468468  
 E-mail: sales@wcon.com