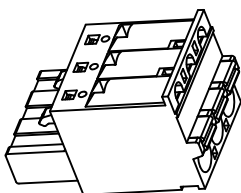


HSF

NOTES:
 Rated Current:10.0 AMP
 Contact Resistance:20 mΩ Max
 Withstand Voltage:2000 V AC/DC
 Insulation Resistance:1000 MΩ min
 Operation Temperature:-40°C to +105°C
 Wire Range:26~12 AWG
 Wire Strip Length: 7 mm
 No. of Positions:2~24

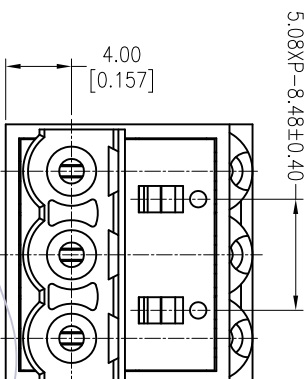
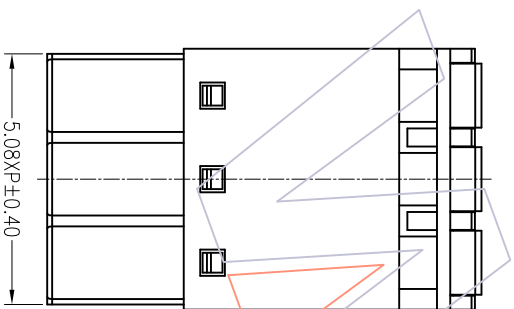


3D VIEW(REF.)
SCALE: 1:2

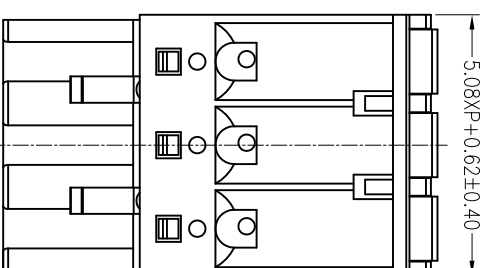
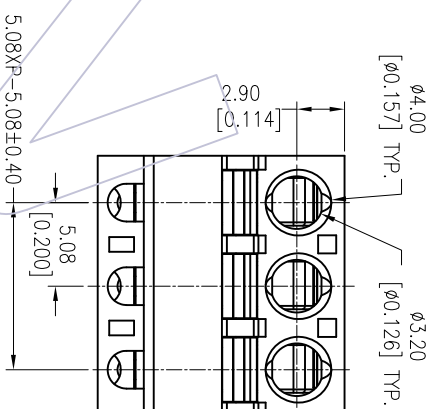
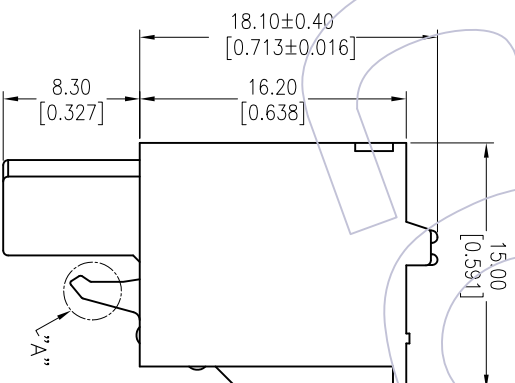
Terminal Material:Phosphor Bronze
 Terminal Plating:
 Matte Tin Plated Over Nickel
 Spring Blade Material:Stainless Steel
 Up Cover Material:
 (High Temp.)Thermoplastic:UL94 V-0
 Below Cover Material:
 (High Temp.)Thermoplastic:UL94 V-0
 Push Pole Material:
 (High Temp.)Thermoplastic:UL94 V-0
 2P Without RAMP Locking "A"

Ordering Information:

P F 508 S-1 F XX A SM N 1 N
 F=Female Pitch 508=5.08
 No. of Pins 02-24P
 Color A=Green SM=Matte Tin
 Contact Plated Type N=Without Screw S=With Latch



"A" VIEW
SCALE: 1:1



"A" VIEW

REV	DATE	MODIFICATION DESCRIPTION	CHANGE	OPERATION	DRAW	DATE	SCALE	FIT	PART NO.	TITLE: 5.08mm Pitch Female Spring Plugs For Pluggable Terminal Blocks Without Screw Customer NO.	WCON Http: www.wcon.com WCON-Dongguan Tel: +86 769 85358920 Fax: +86 769 85358915 E-mail: sales@wcon.com	WCON-Kunshan Tel: +86 512 57468408 Fax: +86 512 57468468 E-mail: sales@wcon.com
AO	2013/08/20	NEW	/	X.XX ±0.40 X.XX ±0.25 X.XXX ±0.15 Angle ± 3' DIM TOL	Tsingsn CHECK APPROVE	2013/08/20	mm	A4	PF508S-1FXXASM1N			