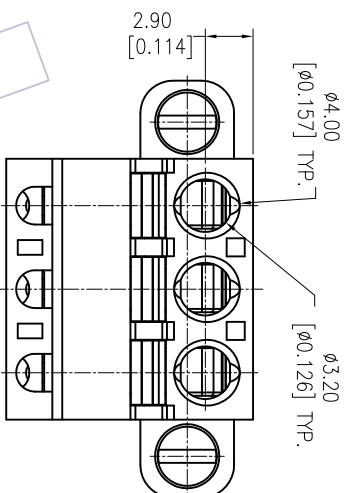
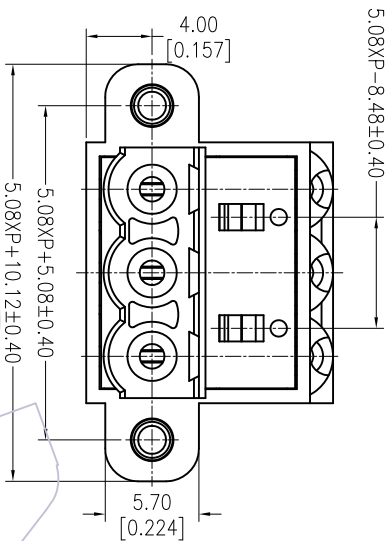
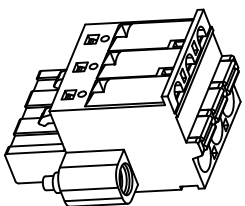


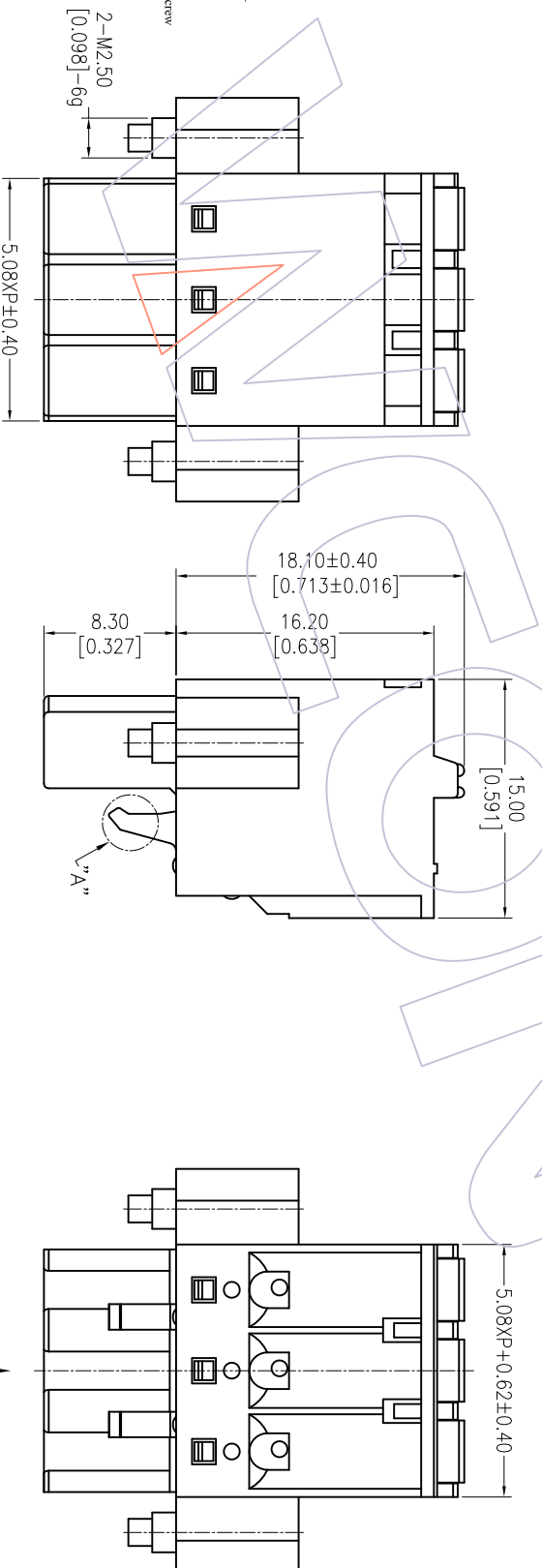
HSF

NOTES:
 Rated Current:10.0 AMP
 Contact Resistance:20 mΩ Max
 Withstand Voltage:2000 V AC/DC
 Insulation Resistance:1000 MΩ min
 Operation Temperature:-40°C to +105°C
 Wire Range:26~12 AWG
 Wire Strip Length: 7 mm
 No. of Positions:2~24
 Screw Counter Torison Force: 3.5 lbf.in Min.

3D VIEW(REF.)
 SCALE: 1:2



"A" VIEW
 SCALE: 1:1



- Terminal Material: Phosphor Bronze
- Terminal Plating: Matte Tin Plated Over Nickel
- Spring Blade Material: Stainless Steel
- Screw Material: Steel
- Screw Plating: Nickel Plated Over All
- Up Cover Material: (High Temp.)Thermoplastic:UL94 V-0
- Below Cover Material: (High Temp.)Thermoplastic:UL94 V-0
- Push Pole Material: (High Temp.)Thermoplastic:UL94 V-0
- 2P Without RAMP Locking "A"

Ordering Information:

P F 508 S-1 F XX A SM W 1 N
 I=Female Pitch No. of Pins Color Contact Plated Type
 508S-108 02-24P A=Green SM=Matte Tin W=WithScrew

REV	DATE	MODIFICATION DESCRIPTION	CHANGE	OPERATION	DRAW	DATE	SCALE	FIT	PART NO.	TITLE:	WCON-Dongguan	WCON-Kunshan
AO	2013/08/20	NEW	/	XX ±0.40	T sngsn	2013/08/20	mm	A4	PF508S-1FXXASMW1N	5.08mm Pitch Female Spring Plugs For Plugable Terminal Blocks With Screw	Tel: +86 769 85358920 Fax: +86 769 85358915 E-mail: sales@wcon.com	Tel: +86 512 57468408 Fax: +86 512 57468468 E-mail: sales@wcon.com
1				XX ±0.25	CHECK		mm	1/1				
				XX ±0.15	APPROVE		mm	1/1				
				Angle ± 3'	DATE		mm	1/1				
				DIM TOL	DATE		mm	1/1				

WCON

Http: www.wcon.com

WCON-Dongguan
 Tel: +86 769 85358920
 Fax: +86 769 85358915
 E-mail: sales@wcon.com

WCON-Kunshan
 Tel: +86 512 57468408
 Fax: +86 512 57468468
 E-mail: sales@wcon.com