

HSF

NOTES:

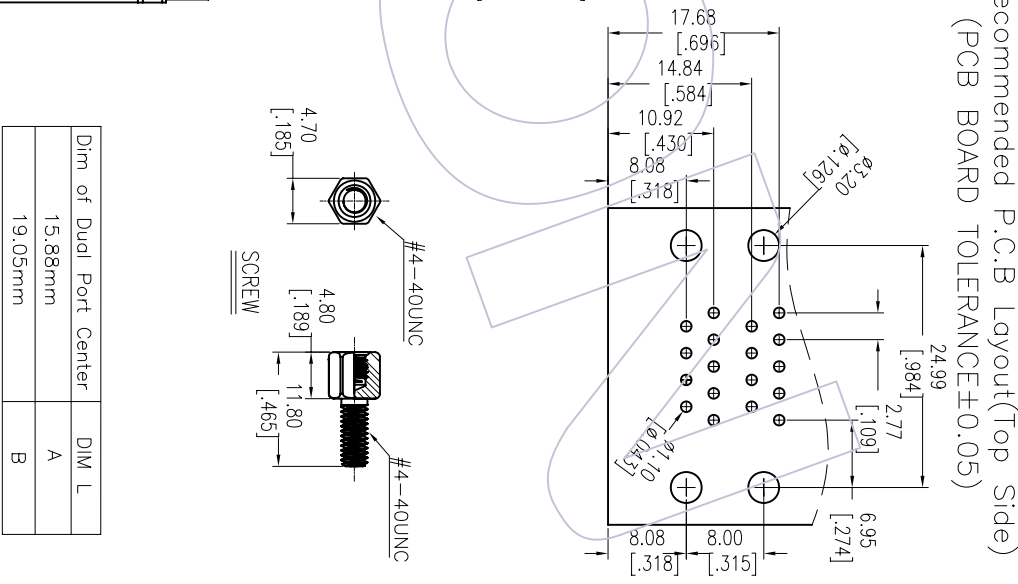
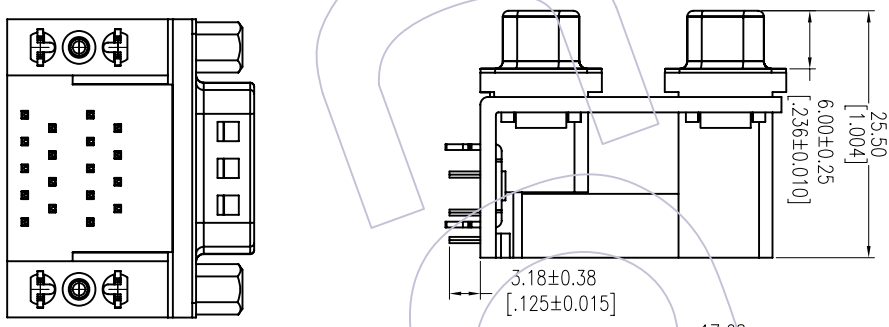
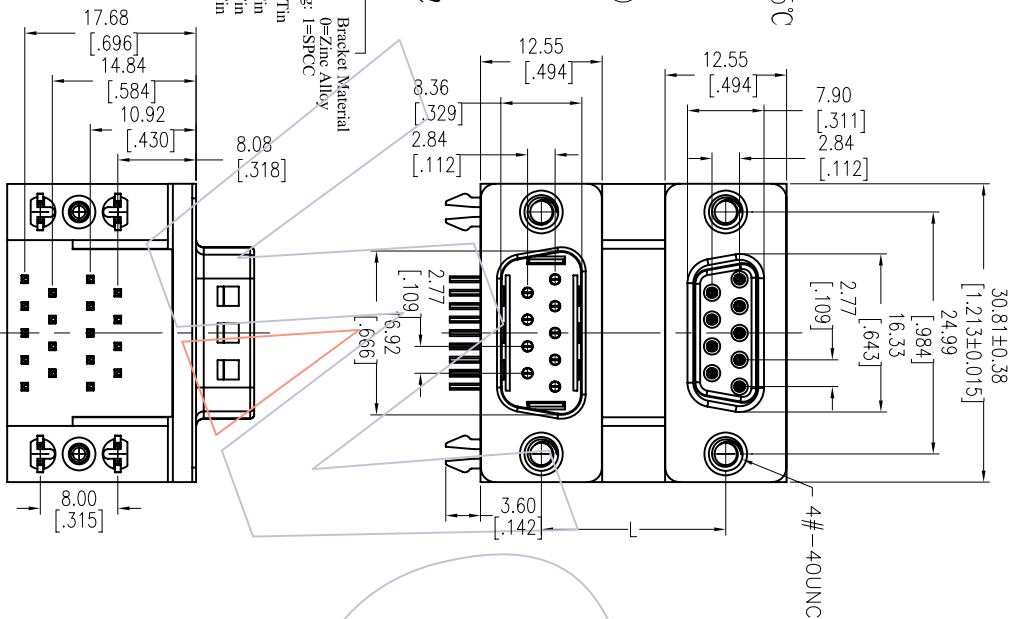
Current Rating: 5.0AMP
 Contact Resistance: 25mΩ Max
 Withstand Voltage: 1000V AC/DC
 Insulation Resistance: 5000MΩ Min
 Operation Temperature: -55°C to +105°C

Contact Material: Brass
 Contact plating: Au Or Sn over Ni
 Insulator Material: PBT+30%G.F UL94V-0
 Shell Material: Spec, Plating: Ni Plated
 Rivet/Harpoon: Brass, Sn over Ni
 Screw: Brass, Plating Ni Plated

Ordering Information

6200-A 09 F X 09 M X XX X X

Dim of Dual Port Center A=15.88mm
 Center B=19.05mm
 Down Port Color
 B=Black
 U=Blue
 N=Green
 Bracket Material
 0=Zinc Alloy
 I=SPCC
 Contact Plating:
 S0=Gold Flash/Tin
 S3=10u"Gold/Tin
 S4=15u"Gold/Tin
 S5=30u"Gold/Tin
 SN=Tin
 Up Port Type
 F=Female
 M=Male
 Down Port Type
 F=Female
 M=Male



Dim of Dual Port Center	DIM L
15.88mm	A
19.05mm	B

REV	DATE	MODIFICATION DESCRIPTION	CHANGE	OPERATION	DRAW	DATE	SCALE	FIT	PART NO.	TITLE:	WCON-Dongguan	WCON-Kunshan
A0	2013/01/10	NEW	-----	XX	JYHuang	2013/01/10	mm	A4	6200-X09FX09MXXXXX	D-SUB Right Angle Connector	http://www.wcon.com	
REV	DATE	MODIFICATION DESCRIPTION	CHANGE	XX	JYHuang	2013/01/10	mm	A4	6200-X09FX09MXXXXX	D-SUB Right Angle Connector	http://www.wcon.com	
REV	DATE	MODIFICATION DESCRIPTION	CHANGE	XX	JYHuang	2013/01/10	mm	A4	6200-X09FX09MXXXXX	D-SUB Right Angle Connector	http://www.wcon.com	
REV	DATE	MODIFICATION DESCRIPTION	CHANGE	XX	JYHuang	2013/01/10	mm	A4	6200-X09FX09MXXXXX	D-SUB Right Angle Connector	http://www.wcon.com	
REV	DATE	MODIFICATION DESCRIPTION	CHANGE	XX	JYHuang	2013/01/10	mm	A4	6200-X09FX09MXXXXX	D-SUB Right Angle Connector	http://www.wcon.com	

WCON

WCON-Dongguan
 Tel: +86 769 85358920
 Fax: +86 769 85358915
 E-mail: sdes@wcon.com

WCON-Kunshan
 Tel: +86 512 57468408
 Fax: +86 512 57468468
 E-mail: sdesks@wcon.com