

HSF

Recommended P.C.B Layout(Top Side)
(PCB BOARD TOLERANCE±0.05)

NOTES:
Current Rating: 5.0AMP
Contact Resistance: 25mΩ Max
Withstand Voltage: 1000V AC/DC
Insulation Resistance: 5000MΩ Min
Operation Temperature: -55°C to +105°C

Contact Material:Brass
Contact plating:Au Or Sn over Ni
Insulator Material:PB1+30%G,F UL94V-0
Shell Material:Spcc,Plating: Ni Plated
Rivet/Harpoon:Brass,Sn over Ni
Screw:Brass,Plating Ni Plated

Ordering Information

6200-X15 M X 15 M X XX X X

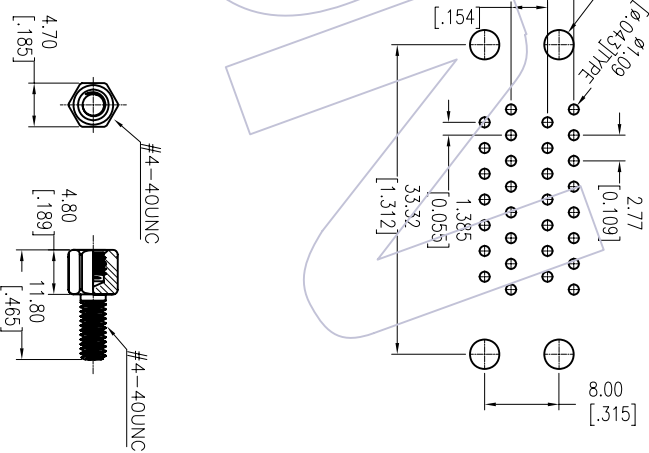
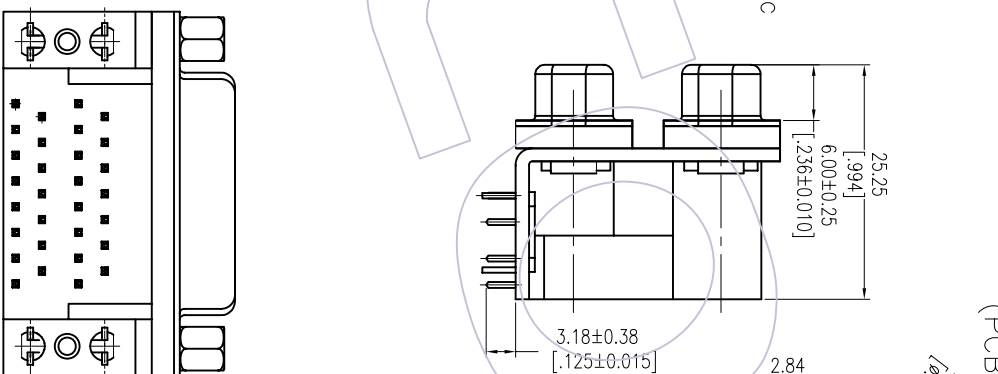
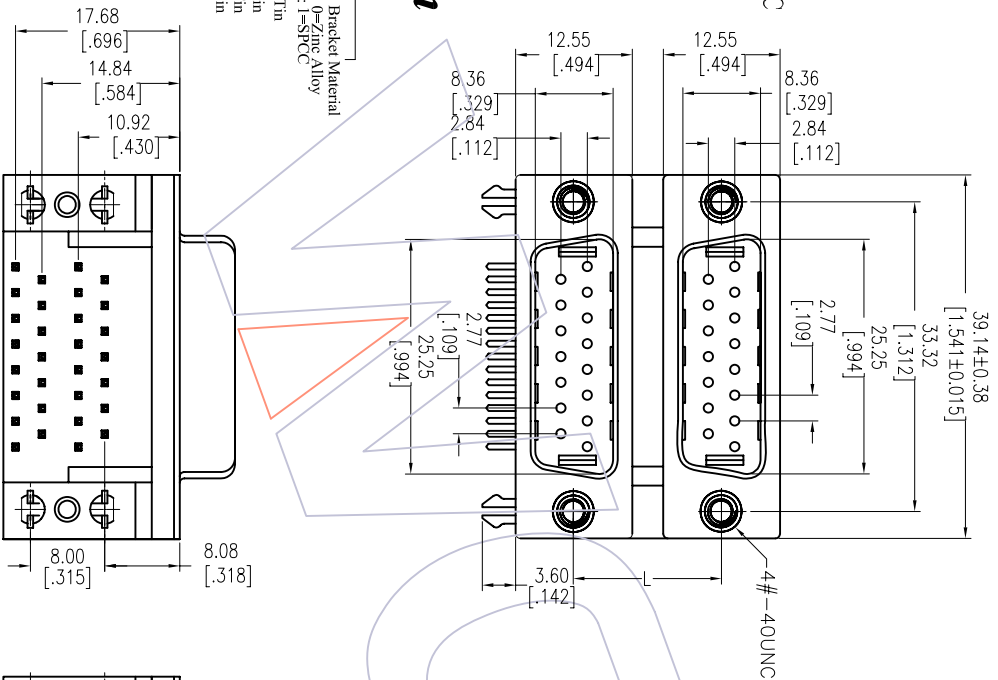
Dim of Dual Port Center A=15.88mm
Center B=19.05mm

Up Port Type Up Port Color
F=Female U=Blue
M=Male W=White
G=Grey

Down Port Color
B=Black
U=Blue
W=White
G=Grey

Down Port Type
S1=10" Gold/Tin
S2=15" Gold/Tin
S3=10" Gold/Tin
S4=15" Gold/Tin
S5=30" Gold/Tin
SN=Tin

Bracket Material
Brackzinc Alloy
Contact Plating: I=SPCC



Dim of Dual Port Center	DIM L
15.88mm	A
19.05mm	B

6200-X15MX15MXX11(WITHOUT SCREW)

6200-X15MX15MXX12(WITH SCREW)

REV	DATE	MODIFICATION DESCRIPTION	CHANGE	OPERATION	DRAW	DATE	SCALE	FIT	PART NO.
A0	2013/01/10	NEW	---	XX	JTHuang	2013/01/10	mm	A4	6200-X15MX15MXX11
				Angle	± 3'	DATE	SHEET	1/1	TITLE:
				DIM	TOL	DATE	PROJ.	Customer NO.	D-SUB Right Angle Connector Dual Row

WCON

Http: www.wcon.com

WCON-Dongguan
 Tel: +86 769 85358920
 Fax: +86 769 85358915
 E-mail: sdes@wcon.com

WCON-Kunshan
 Tel: +86 512 57468408
 Fax: +86 512 57468468
 E-mail: sdesks@wcon.com