

NOTES:

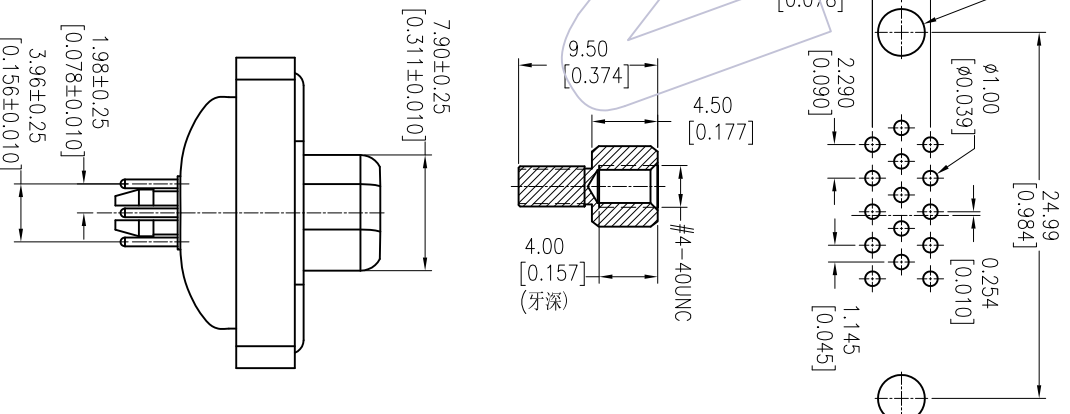
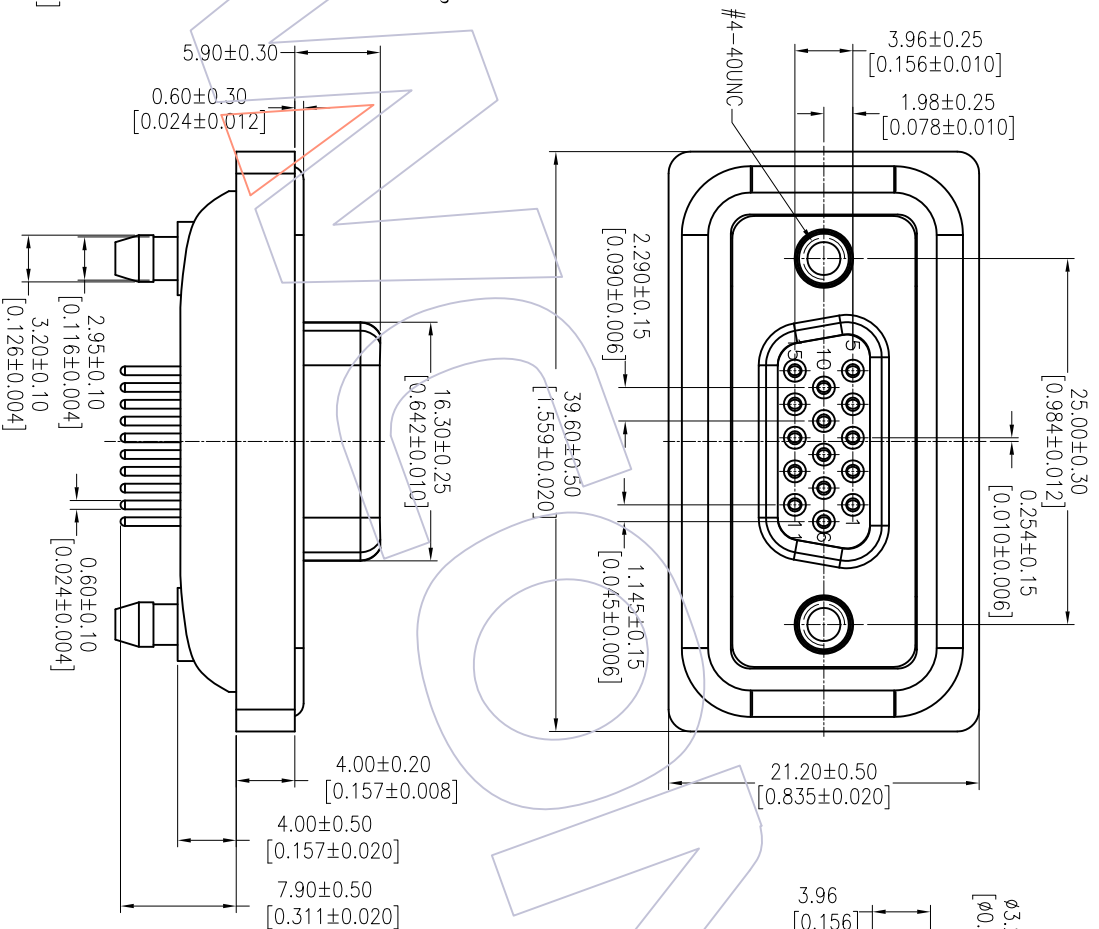
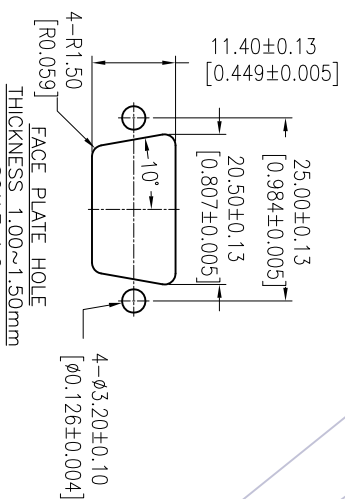
- ELECTRICAL:
  - 1.1 CONTACT CURRENT RATING: 3 AMPERES
  - 1.2 CONTACT RESISTANCE: 10 MILLIOHMS MAX.
  - 1.3 DIELECTRIC WITHSTANDING VOLTAGE: 800V AC FOR 1MINUTE
  - 1.4 INSULATION RESISTANCE: 5000 MEGOHMS MIN AT 500V DC
- MECHANICAL:
  - 2.1 INSERTION FORCE: 340 g/f MAX
  - 2.2 SEPARATION FORCE: 21 g/f MIN
  - 2.3 SCREW COUNTER TORSION FORCE: 5.0 Kgf.cm MIN.
- ENVIRONMENTAL:
  - 3.1 TEMPERATURE RATING: -40°C TO +85°C.
  - 3.2 WATERPROOF CLASS: IP67
  - 3.3 AIRPROOF CAPABILITY: PRESSURE DROP 0.3 KPa MAX. AT 52.2 KPa FOR 3 MINUTE.
- ALL MATERIALS SHOULD BE COMPLIANT TO ROHS

## Ordering Information

6245-15 F Y XX F B N 2

No.of Pins Contact Plating Waterproof Circle  
 15 G0=Gold Finish F=With Front Waterproof Circle  
 G3=10u"Gold W=With Back Waterproof Circle  
 G4=15u"Gold B=With Back Waterproof Circle  
 G5=30u"Gold

Color N=Without Cap  
 B=Black W=With Cap



REV	DATE	MODIFICATION DESCRIPTION	CHANGE	OPERATION		DRAW	DATE	SCALE		PART NO.	TITLE:
				DIM	TOL			FIT	UNIT		
A0	2013/08/02	NEW		XX	±0.40	TsingSn	2013/08/02	mm	A4	6245-15FYXXFBN2	D-SUB 15P FEMALE THREE ROWS 180° DIP TYPE WITH WATERPROOF
				XXX	±0.25	CHECK		inch			
				XXXX	±0.15	APPROVE					
				Angle	± 3'						
											Customer NO.



WCON-Dongguan  
 Http: www.wcon.com  
 Tel: +86 769 85358920  
 Fax: +86 769 85358915  
 E-mail: sales@wcon.com

WCON-Kunshan  
 Tel: +86 512 57468408  
 Fax: +86 512 57468468  
 E-mail: sales@wcon.com