

HSF

NOTES:

Current Rating: 3.0AMP
 Contact Resistance: 20mΩ Max
 Withstand Voltage: 500V AC/DC
 Insulation Resistance: 1000MΩ Min
 Operation Temperature: -55°C to +105°C

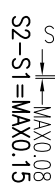
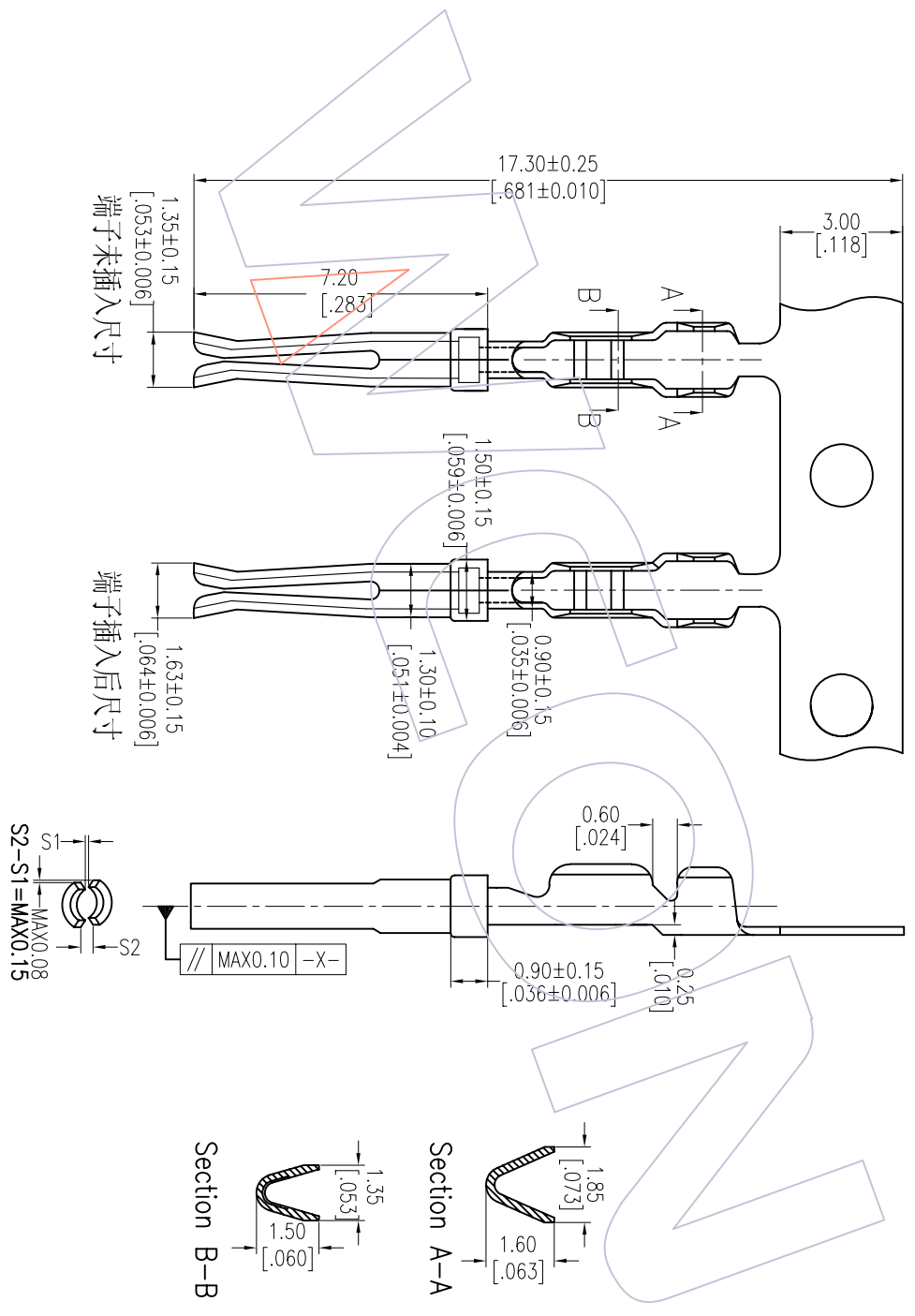
Contact Material: Phosphor Bronze
 Contact plating: Au Or Sn over Ni

Ordering Information

T6211 - F C 0 P XX 01

Contact Material
 P=Phosphor bronze

Contact Plating
 S0=Gold Flash/Tin
 S3=10u"Gold/Tin
 S4=1.5u"Gold/Tin
 S5=30u"Gold/Tin
 SN=Tin



REV	DATE	MODIFICATION DESCRIPTION	CHANGE
A0	2013/01/08	NEW	-----

OPERATION	DRAW	DATE	SCALE	FIT	PART NO.
X.X	JYHuang	2013/01/08	UNIT	mm	T6211-FC0PXX01
X.XX	CHECK	DATE	SIZE	A4	TITLE: HD-SUB CONNECTOR CRIMP TYPE FEMALE TERMINAL
X.XXX	± 3'	APPROVE	SHEET	1/1	Customer NO.
Angle	DIM	TOL	PROJ.		

WCON
 Http: www.wcon.com

WCON-Dongguan
 Tel: +86 769 85358920
 Fax: +86 769 85358915
 E-mail: sales@wcon.com

WCON-Kunshan
 Tel: +86 512 57468408
 Fax: +86 512 57468468
 E-mail: sales@wcon.com