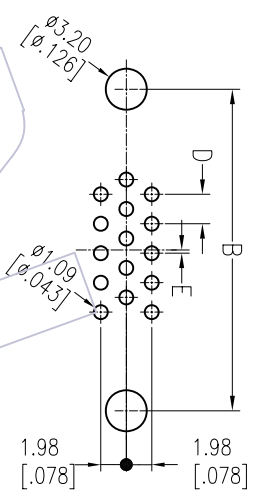
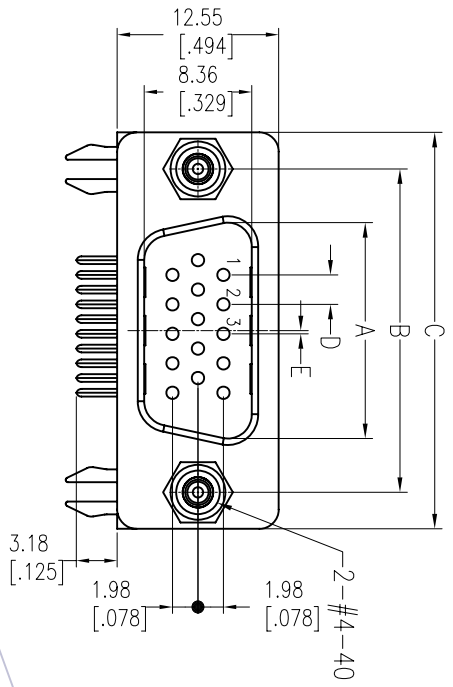


HSF

Recommended P.C.B Layout(Top Side)
(PCB BOARD TOLERANCE±0.05)

NOTES:

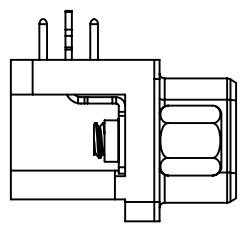
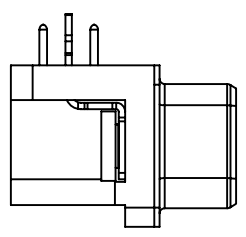
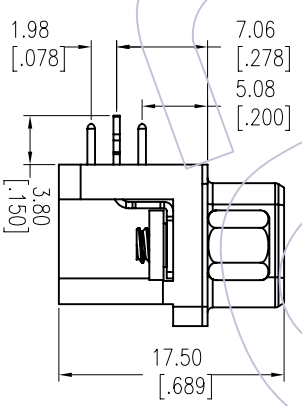
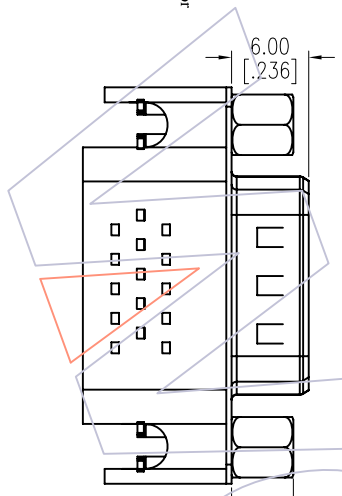
Current Rating: 3.0AMP
 Contact Resistance: 25mΩ Max
 Withstand Voltage: 500V AC/DC
 Insulation Resistance: 1000MΩ Min
 Operation Temperature: -55°C to +105°C
 Contact Material: Brass
 Contact plating: Au Or Sn over Ni
 Insulator Material: PBT+30%G.F UL94V-0
 Shell: Cold Roller Steel, Ni Plated
 Revit/Harpoon: Brass, Sn Over Ni Plated
 Screw: Brass, Ni Plated



Ordering Information

6213A-XX M X N XX B 01

No. of Pins: 15, 26, 44, 62P
 Product Type: W=With Revit With Screw, M=With Revit Without Screw, S=No Revit Lock With Screw
 Contact Plating: S0=Gold Flash/Tin, S3=10u"Gold/Tin, S4=15u"Gold/Tin, S5=30u"Gold/Tin, SN=Tin
 Insulator Color: B:Black, U:Blue



No. of Positions	DIM "A"	DIM "B"	DIM "C"	DIM "D"	DIM "E"
15	16.92	24.99	30.81	2.29	0.25
26	25.25	33.32	39.14	2.29	0.51
44	38.96	47.04	53.04	2.29	0.51
62	55.42	63.50	69.32	2.41	0.58

WCON

Http: www.wcon.com

WCON-Dongguan Tel: +86 769 85358920 Fax: +86 769 85358915 E-mail: sales@wcon.com
 WCON-Kunshan Tel: +86 512 57468408 Fax: +86 512 57468468 E-mail: sales@wcon.com

OPERATION	DRAW	DATE	SCALE	PART NO.
XX	JYHuogng	2012/12/04	UNIT mm	6213A-XXMMNXXB01
XX	CHECK	DATE	SIZE A4	TITLE: High density connector male 5.08mm footprint right angle type
X.XXX	±0.15	DATE	SHEET 1/1	Customer NO.
Angle	± 3'	DATE	PROJ.	
MODIFICATION DESCRIPTION	CHANGE	DATE		
REV	DATE	NEW		
A0	2012/12/04			