

HSF

NOTES:

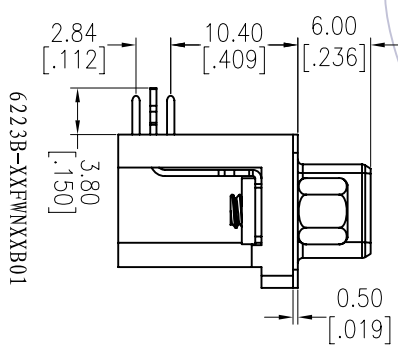
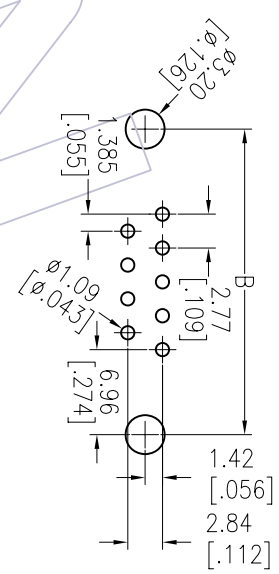
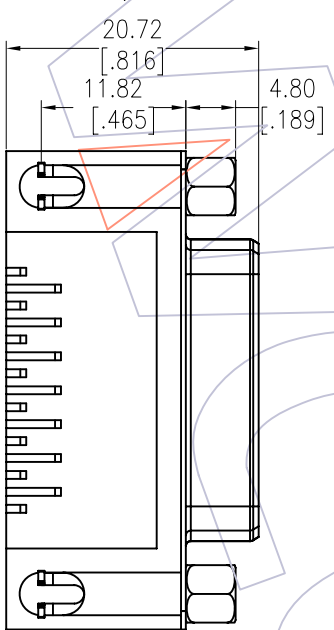
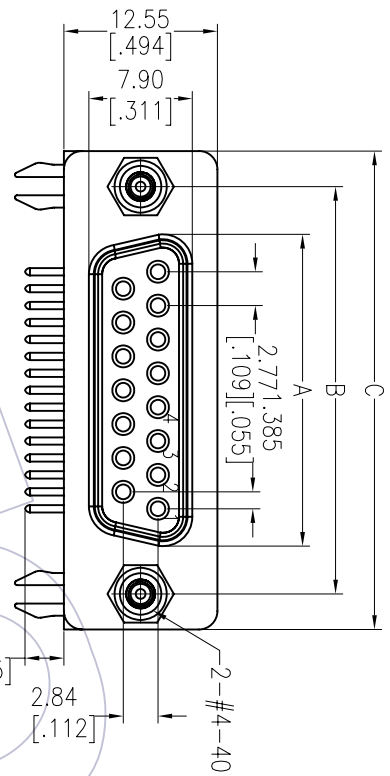
Current Rating: 3.0AMP
 Contact Resistance: 25mΩ Max
 Withstand Voltage: 500V AC/DC
 Insulation Resistance: 1000MΩ Min
 Operation Temperature: -55°C to +105°C

Contact Material: Brass
 Contact plating: Au Or Sn over Ni
 Insulator Material: PBT+30%G.F UL94V-0
 Sheet: Cold Roller Steel, Ni Plated
 Revit: Brass, Sn Over Ni Plated
 Screw: Brass, Ni Plated

Ordering Information

6223B-XX F X N XX B 01

No. of Pins 09, 15, 25, 37P
 Product Type W=With Revit With Screw
 M=With Revit Without Screw
 S=No Revit Lock With Screw
 Contact Plating S0=Gold Flash/Tin S3=10u"Gold/Tin S4=15u"Gold/Tin S5=30u"Gold/Tin
 Insulator Color B:Black U:Blue
 SN=Tin



No. of Positions	DIM "A"	DIM "B"	DIM "C"
09	16.30	24.99	30.81
15	24.66	33.32	39.14
25	38.38	47.04	53.04
37	54.83	63.50	69.32

REV	DATE	MODIFICATION DESCRIPTION	CHANGE	OPERATION	DRAW	DATE	SCALE	FIT	PART NO.	TITLE:	Customer NO.	WCON-Dongguan	WCON-Kunshan
A0	2012/12/06	NEW	---	XX	JYHuang	2012/12/06	mm	A4	6223B-XXFPMNXXB01	D-SUB FEMALE CONNECTOR 10.40 FOOTPRINT RIGHT ANGLE TYPE		Tel: +86 769 85358920 Fax: +86 769 85358915 E-mail: sdles@wcon.com	Tel: +86 512 57468408 Fax: +86 512 57468468 E-mail: sdles@wcon.com

WCON

Http: www.wcon.com