

# HSF

**NOTES:**

Current Rating: 3.0AMP  
 Contact Resistance: 25mΩ Max  
 Withstand Voltage: 500V AC/Minute  
 Insulation Resistance: 1000MΩ Min  
 Operation Temperature: -55°C to +105°C

Contact Material: Brass  
 Contact plating: Au Or Sn over Ni  
 Insulator Material: PBT+30%G.F UL94V-0  
 Sheet: Cold Roller Steel, Ni Plated  
 Revit: Brass, Sn Over Ni Plated  
 Screw: Brass, Ni Plated

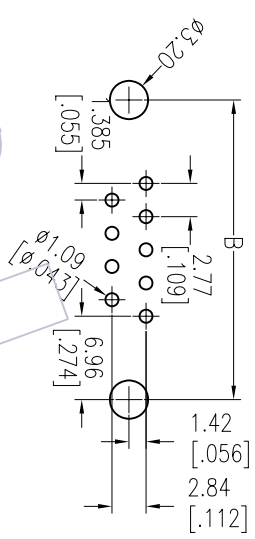
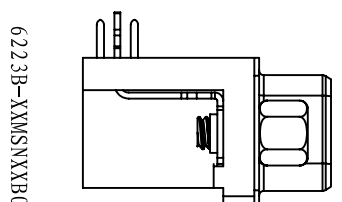
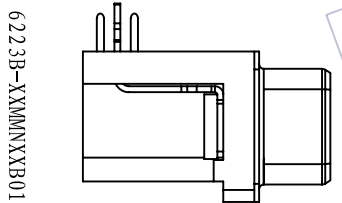
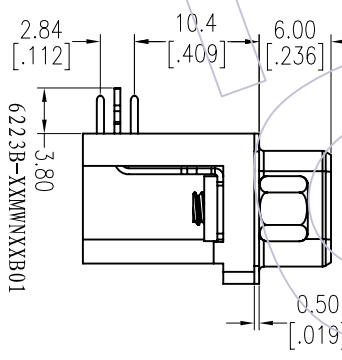
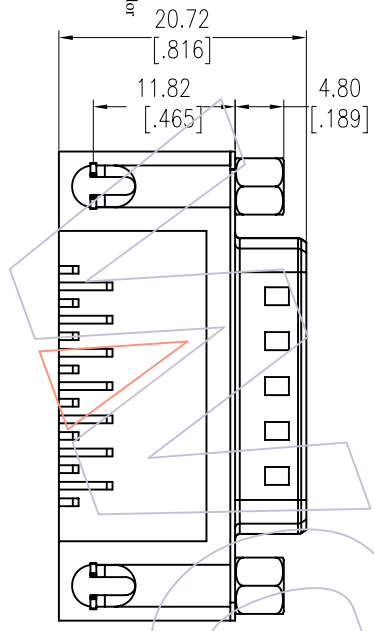
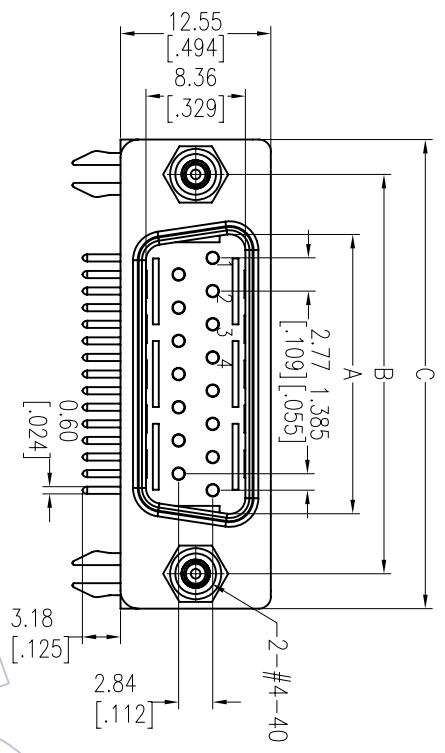
## Ordering Information

6223B-XX M X N XX B 01

No. of Pins  
 09, 15, 25, 37P

Product Type  
 W=With Revit  
 With Screw  
 M=With Revit  
 Without Screw  
 S=No Revit  
 Lock With Screw

Contact Plating Insulator Color  
 S0=Gold Flash/Tin B:Black  
 S3=10μ"Gold/Tin U:Blue  
 S4=15μ"Gold/Tin  
 S5=30μ"Gold/Tin  
 SN=Tin



Recommended P.C.B Layout(Top Side)  
 (PCB BOARD TOLERANCE±0.05)

No. of Positions	DIM "A"	DIM "B"	DIM "C"
09	16.92	24.99	30.81
15	25.25	33.32	39.14
25	38.96	47.04	53.04
37	55.42	63.50	69.32

REV	DATE	MODIFICATION DESCRIPTION	CHANGE	OPERATION	DRAW	DATE	SCALE	FIT	PART NO.
A0	2012/12/06	NEW	---	X.XX	JYHuang	2012/12/06	mm	A4	6223B-XXMNXXB01
REV	DATE	MODIFICATION DESCRIPTION	CHANGE	Angle	APPROVE	DATE	SHEET	PROJ.	TITLE:
				± 3'			1/1		D-SUB MALE CONNECTOR
									10.40 FOOTPRINT RIGHT ANGLE TYPE
									Customer NO.

# WCON

Http: www.wcon.com

WCON-Dongguan Tel: +86 769 85358920 Fax: +86 769 85358915 E-mail: sales@wcon.com

WCON-Kunshan Tel: +86 512 57468408 Fax: +86 512 57468468 E-mail: sales@wcon.com