

# HSF

**NOTES:**

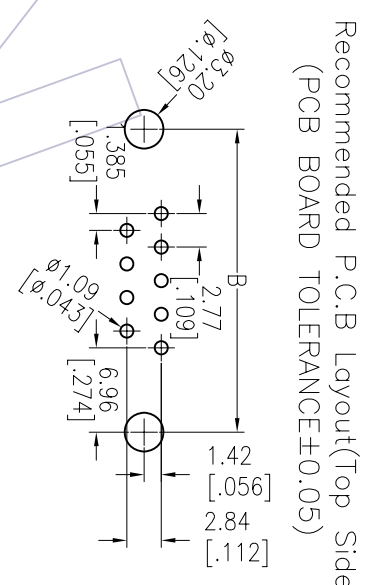
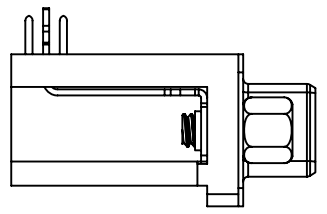
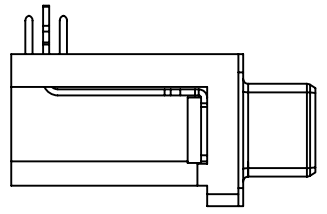
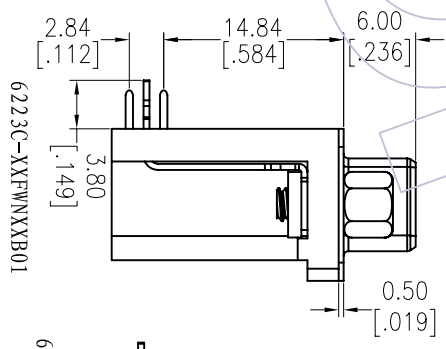
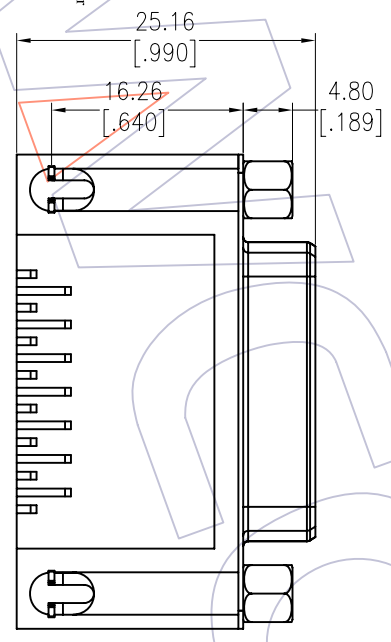
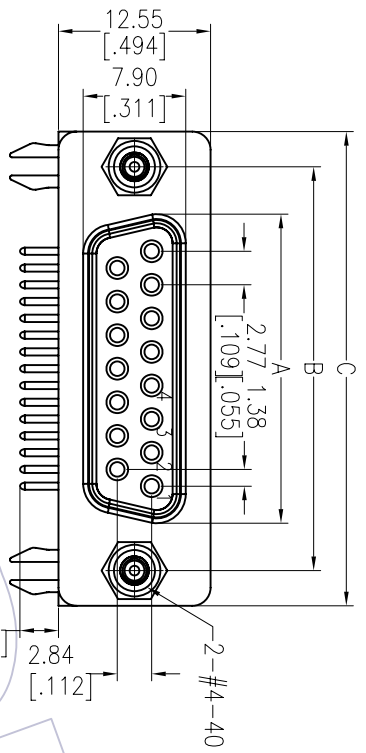
Current Rating: 3.0AMP  
 Contact Resistance: 25mΩ Max  
 Withstand Voltage: 500V AC/DC  
 Insulation Resistance: 1000MΩ Min  
 Operation Temperature: -55°C to +105°C

Contact Material: Brass  
 Contact plating: Au Or Sn over Ni  
 Insulator Material: PBT+30%G.F UL94V-0  
 Sheet: Cold Roller Steel, Ni Plated  
 Revit/Harpoon: Brass, Sn Over Ni Plated  
 Screw: Brass, Ni Plated

## Ordering Information

6223C-XX F X N XX B 01

No. of Pins: 09, 15, 25, 37P  
 Product Type: W=With Revit With Screw, M=With Revit Without Screw, S=No Revit Lock With Screw  
 Contact Plating: S0=Gold Flash/Tin, S3=10u"Gold/Tin, S4=15u"Gold/Tin, S5=30u"Gold/Tin  
 Insulator Color: B:Black, U:Blue, SN=Tin



Recommended P.C.B Layout(Top Side)  
 (PCB BOARD TOLERANCE±0.05)

No. of Positions	DIM "A"	DIM "B"	DIM "C"
09	16.30	24.99	30.81
15	24.66	33.32	39.14
25	38.38	47.04	53.04
37	54.83	63.50	69.32

OPERATION	DRAW	DATE	SCALE	FIT	PART NO.	TITLE: D-SUB FEMALE CONNECTOR 14.84 FOOTPRINT RIGHT ANGLE TYPE	
XX	JYHuang	2012/12/06	mm	A4	6223C-XXFMNXXB01		
ANGLE	CHECK	DATE	SHEET	PROJ.	Customer NO.	WCON-Dongguan Tel: +86 769 85358920 Fax: +86 769 85358915 E-mail: sales@wcon.com	
X.XXX	-----	-----	1/1	☐	-----		
REV	DATE	MODIFICATION DESCRIPTION	CHANGE	DIM	APPROVE	DATE	WCON-Kunshan Tel: +86 512 57468408 Fax: +86 512 57468468 E-mail: sales@wcon.com
A0	2012/12/06	NEW	-----	-----	-----	-----	-----

# WCON

Http: www.wcon.com