

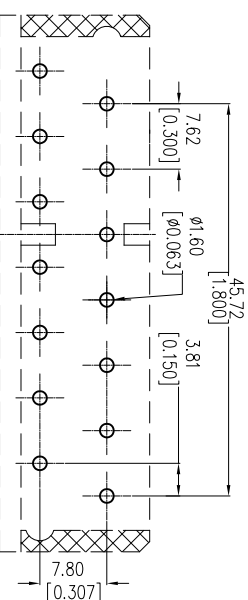
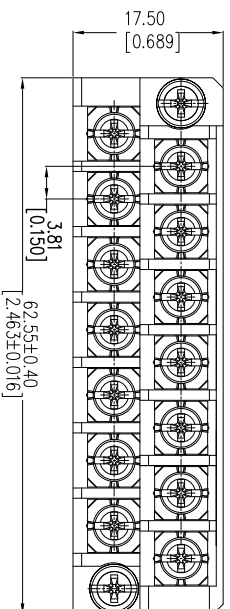
NOTES:

1. Body material: PBT+G.F, UL94 V-0
2. Contact material: Phosphor bronze,
Plated: Gold Flash/Ni
3. Pin material: Brass, Plated: Gold Flash
4. Screw material: Steel, Ni Plated
5. Rated Voltage: 300V
6. Rated Current: 10A
7. Wire Range: 14-22AWG
8. Screw Torque: 7.0 lbf.in
9. Contact Resistance: $8m\ \Omega$ Max
10. Insulation Resistance: DC 1000V 1000M Ω Min
11. Power-Frequency Withstand Voltage: AC 2500V/1min
12. Impulse Withstand Voltage: 3000V
13. Operation Temperature: -40°C to +120°C

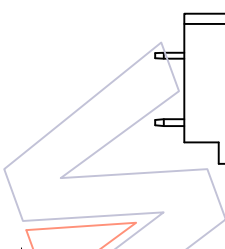
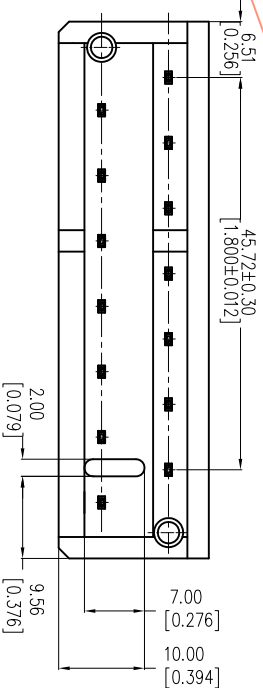
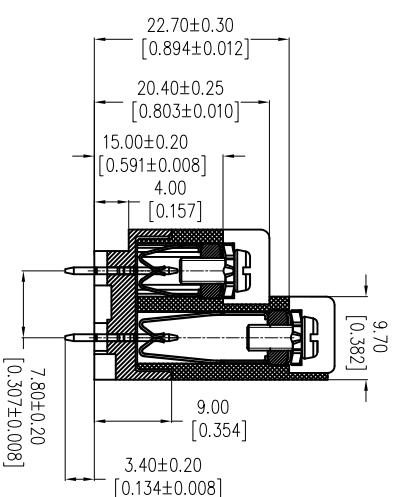
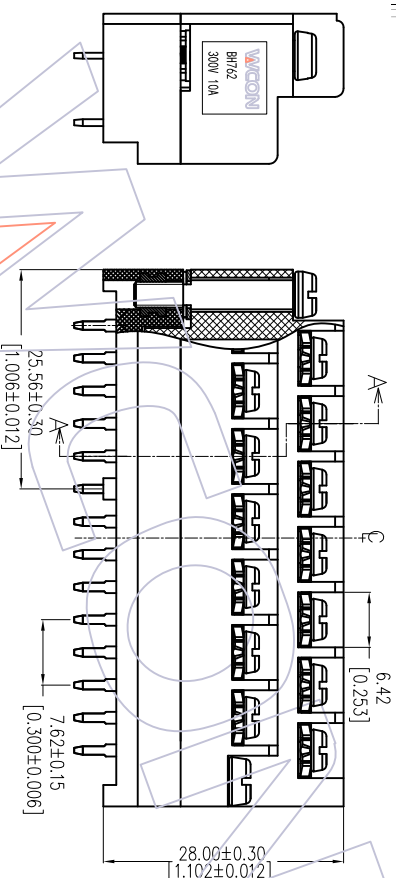
Ordering Information:

BH762 - 01 - 07 - G - G0 - S01

No. Pins Per Row: 07P
Color: G=Grey
Contact Plated: G0=Gold Flash



Recommended P.C.B Layout (Top Side)
(PCB BOARD TOLERANCE±0.05)



REV	DATE	MODIFICATION DESCRIPTION	CHANGE	OPERATION		DRAW		DATE	SCALE	FIT	PART NO.	TITLE:	SHEET	PROJ.	Customer NO.	WCON-Dongguan	WCON-Kunshan
				XX	±0.40	Allen	2016/06/02										
AO	2016/06/02	NEW		X.XX	±0.25	CHECK			inch	A4						Tel: +86 769 85358920	Tel: +86 512 57468408
				X.XXX	±0.15	APPROVE										Fax: +86 769 85358915	Fax: +86 512 57468468
				Angle	± 3°											E-mail: sales@wcon.com	E-mail: sales@wcon.com



Http: www.wcon.com

WCON-Dongguan Tel: +86 769 85358920 Fax: +86 769 85358915 E-mail: sales@wcon.com
WCON-Kunshan Tel: +86 512 57468408 Fax: +86 512 57468468 E-mail: sales@wcon.com