

HSF

NOTES:

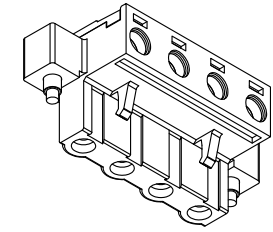
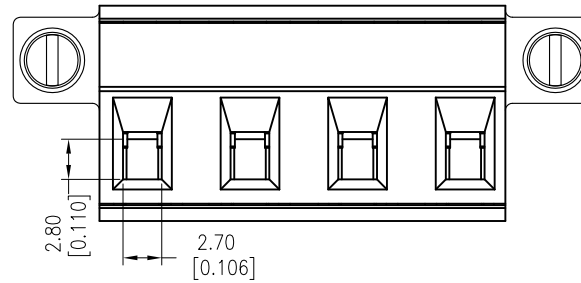
Rated Current:18.0 AMP
 Contact Resistance:8 mΩ Max
 Withstand Voltage:2000 V AC/DC
 Insulation Resistance:1000 MΩ min
 Operation Temperature:-40°C to +105°C
 Wire Range:30~12 AWG
 Wire Strip Length: 7 mm
 No.of Positions:2~20
 Screw Counter Torsion Force: 4.4 lbf.in Min.

Terminal Material:Phosphor Bronze
 Terminal Plating:Matte Tin Plated Over Nickel
 Pin Block Material:Brass
 Pin Block Plating:Nickel Plated Over All
 Screw Material: Steel
 Screw Plating:Nickel Plated Over All
 Up Cover Material:PA66 UL94 V-0
 Below Cover Material:PA66 UL94 V-0

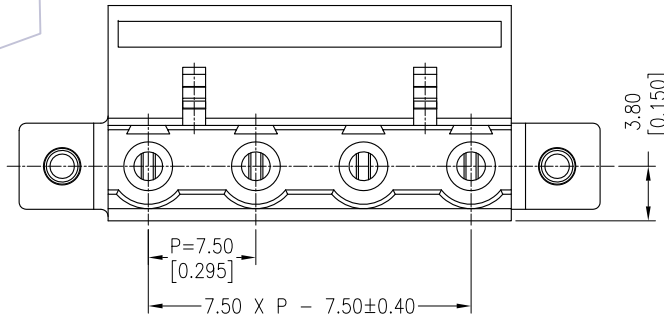
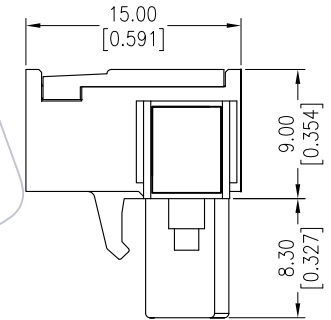
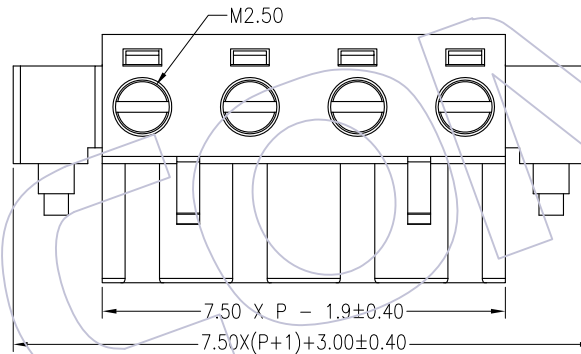
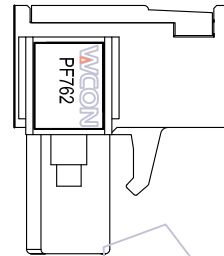
Ordering Information:

P F 750 - C XX A SM W 1

F=Female Pitch 750=7.50
 No.of Pins 02-20P
 Color A=Green
 Contact Plated SM=Matte Tin
 Type W=With Screw



3D VIEW(REF.)
SCALE 1:2



| REV | DATE | MODIFICATION DESCRIPTION | CHANGE | OPERATION | | DRAW Tsingsn | DATE 2013/11/08 | SCALE | FIT mm | PART NO. PF750-CXXASMW1 |
|-----|------------|--------------------------|--------|--------------|-------------|-----------------|--------------------|--------------|-----------|--|
| | | | | X.X | ±0.40 | | | | | |
| | | | | X.XX | ±0.25 | CHECK | DATE | UNIT inch | | TITLE: 7.50mm Pitch Female Pluggable Terminal Blocks |
| A0 | 2013/11/08 | NEW | | X.XXX | ±0.15 | APPROVE | DATE | SIZE A4 | 1/1 | Customer NO. |
| | | | | Angle DIM | ± 3' TOL | | | SHEET | PROJ. | |

WCON

Http: www.wcon.com

WCON-Dongguan Tel: +86 769 85358920 Fax: +86 769 85358915 E-mail: sales@wcon.com
 WCON-Kunshan Tel: +86 512 57468408 Fax: +86 512 57468468 E-mail: salesks@wcon.com