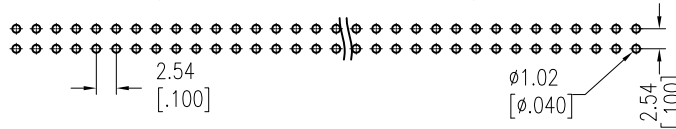


HSF

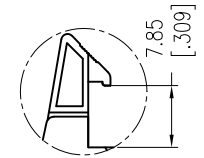
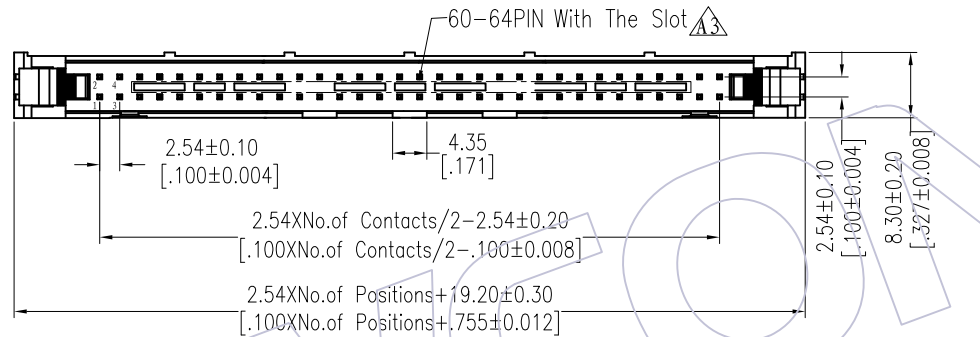
Recommended P.C.B Layout(Top Side)
(PCB BOARD TOLERANCE±0.05)



NOTES:
Current Rating: 3.0AMP
Contact Resistance: 20mΩ Max
Withstand Voltage: 1000V AC/DC $\triangle A1$
Insulation Resistance: 1000MΩ Min
Operation Temperature: -40°C to +105°C

Contact Material: Brass $\triangle A1$
Contact plating: Au Or Sn over Ni
Insulator Material: PBT Or PA9T+30%G.F UL94V-0

06P-18P Without Slot "A" and "B"
20P-58P Without Slot "A", With Slot "B"
60P-64P With Slot "A" and "B"



Long Latch



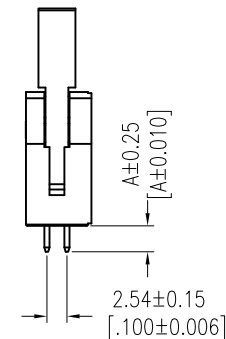
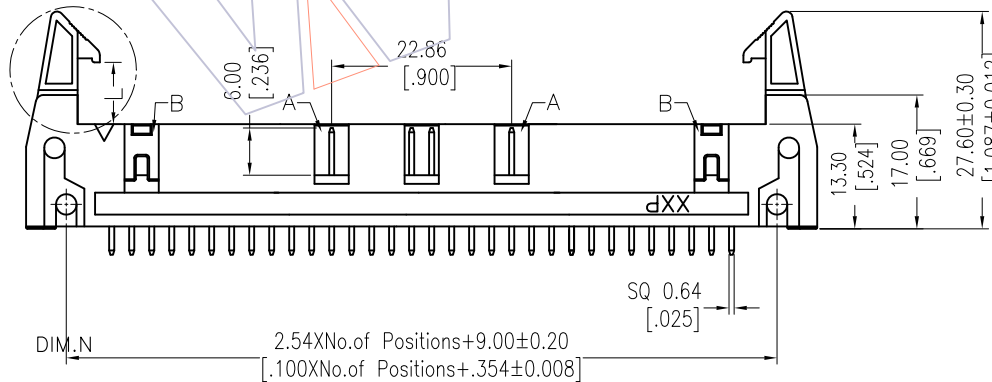
Short Latch

Ordering Information

3210 - XX S XX X X X 1

No. of Pins	Contact Plating	Insulator Color	Latch Type	Packing
06 24	G0=Gold Flash	B=Black	L=Long Latch	A=Tray
08 26	G3=10u"Gold	G=Grey(427C)	S=Short Latch	T=Tube
10 30	G4=15u"Gold		N=Without Latch	
12 34	G5=30u"Gold			
14 40	S0=Gold Flash/Tin			
16 50	S3=10u"Gold/Tin			
18 60	S4=15u"Gold/Tin			
20 64	S5=30u"Gold/Tin			
	SN=Tin			

	Pin Length	DIM.A
Standard	16.0	3.30
Alternate	17.3	4.50



Item	Pitch	Mating
Standard	2.54	5211
Alternate		

Item DIM.N 2.54XNo. of Positions+9.00±0.20 [0.100XNo. of Positions+.354±0.008]

REV	DATE	MODIFICATION DESCRIPTION	CHANGE	OPERATION	DRAW	DATE	SCALE	FIT	PART NO.
A3	2014/12/03	MODIFY	$\triangle A3$	OPERATION	Allen	2014/12/03	UNIT	mm	3210-XXSXXXXX1
A2	2013/02/25	MODIFY	$\triangle A2$	x.x ±0.40	CHECK		SIZE	A4	TITLE:
A1	2012/12/19	MODIFY THE MATERIAL	$\triangle A1$	x.xx ±0.25	APPROVE		SHEET	1/1	2.54 EJECTOR HEADER 180° DIP
A0	2012/12/06	NEW	----	x.xxx ±0.15			PROJ.		Customer NO.
				Angle ± 3'					
				DIM TOL					

WCON

Http: www.wcon.com

WCON-Dongguan Tel: +86 769 85358920 Fax: +86 769 85358915 E-mail: sales@wcon.com
WCON-Kunshan Tel: +86 512 57468408 Fax: +86 512 57468468 E-mail: salesks@wcon.com