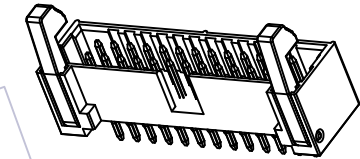
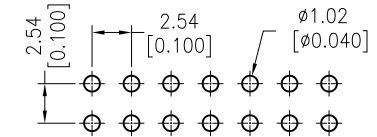


HSF

NOTES:
 Rated Current:3.0AMP
 Contact Resistance:20mΩ max
 Withstand Voltage:500V AC/DC
 Insulation Resistance:1000MΩ min
 Operation Temperature:-40°C to +105°C

Housing Material:PA9T+30%GF(UL94V-0)
 Latch Material:PA9T+30%GF(UL94V-0)
 Contact Material:Brass
 Contact plating:Au or Sn over Ni Plated
 Fixed Axle Material:Brass
 Fixed Axle plating:Ni Plated

Recommended P. C. B Layout (Top Side)
 (PCB BOARD TOLERANCE ± 0.05)

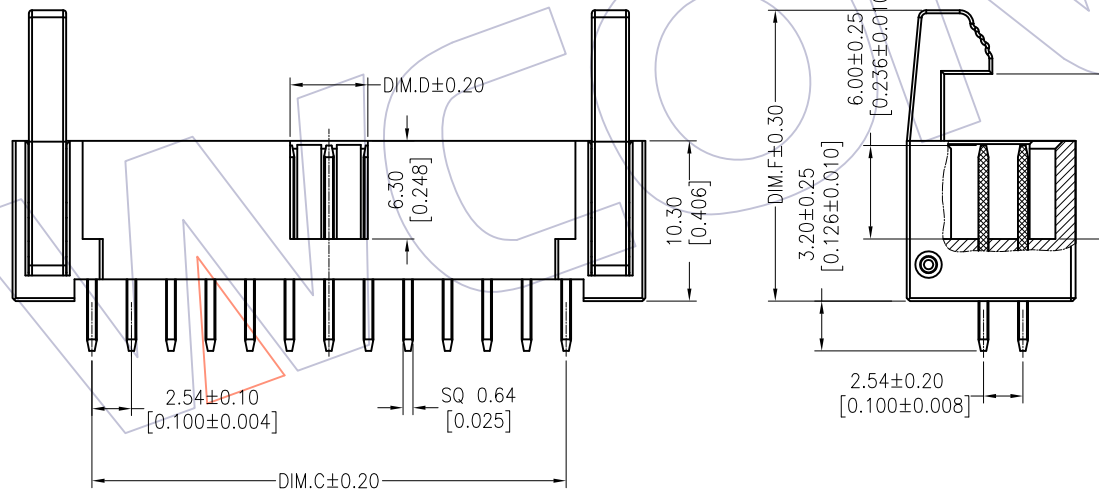
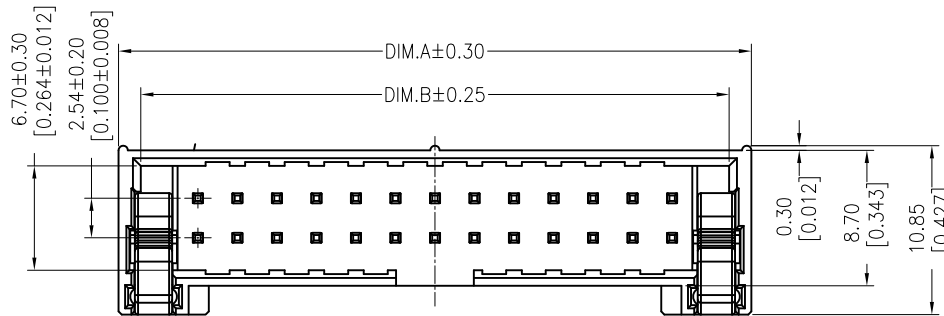


3D VIEW(REF.)
 SCALE 1:2

Ordering Information


3212 - XX S XX B X X 1

No. of Pins	Contact Plating	Insulator Color	Latch Type	Packing
10 34	S0=Gold Flash/Tin	B=Black	L=Long Latch	T=Tube
14 40	S1=3u"Gold/Tin		S=Short Latch	A=Tray
16 50	S2=5u"Gold/Tin			
20 60	S3=10u"Gold/Tin			
26 64	S4=15u"Gold/Tin			
30	S5=30u"Gold/Tin			



PART NO.	DIM.E	DIM.F
3212-XXSXXBLX1	14.60	22.10
3212-XXSXXBSX1	10.60	18.70

No. Of POSITION	DIM.A	DIM.B	DIM.C	DIM.D
6	15.28	12.42	5.08	2.30
8	17.82	14.96	7.62	2.30
10	20.36	17.50	10.16	5.00
12	22.90	20.04	12.70	5.00
14	25.44	22.58	15.24	5.00
16	27.98	25.12	17.78	5.00
20	33.06	30.20	22.86	5.00
24	38.14	35.28	27.94	5.00
26	40.68	37.82	30.48	5.00
30	45.76	42.90	35.56	5.00
34	50.84	47.98	40.64	5.00
40	58.46	55.60	48.26	5.00
50	71.16	68.30	60.96	5.00
60	83.86	81.00	73.66	5.00
64	88.94	86.08	78.74	5.00

		OPERATION		DRAW		DATE		SCALE		FIT		PART NO.		 Http: www.wcon.com WCON-Dongguan Tel: +86 769 85358920 WCON-Kunshan Tel: +86 512 57468408 Fax: +86 769 85358915 Fax: +86 512 57468468 E-mail: sales@wcon.com E-mail: salesks@wcon.com	
		X.X ±0.40		Tsingsn		2013/10/24		UNIT		mm		3212-XXSXXBXX1			
		X.XX ±0.25		CHECK		DATE		SIZE		A4		TITLE:			
		X.XXX ±0.15		APPROVE		DATE		SHEET		1/1		2.54mm EJECTOR HEADER 180° DIP TYPE			
A0	2013/10/24	NEW		CHANGE				PROJ.		Customer NO.					
REV	DATE	MODIFICATION DESCRIPTION													