

# HSF

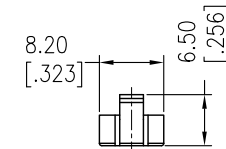
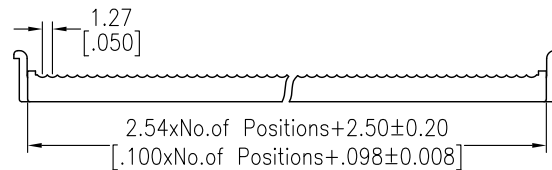
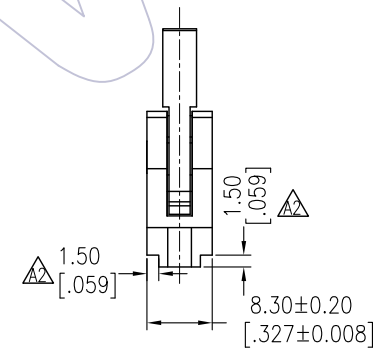
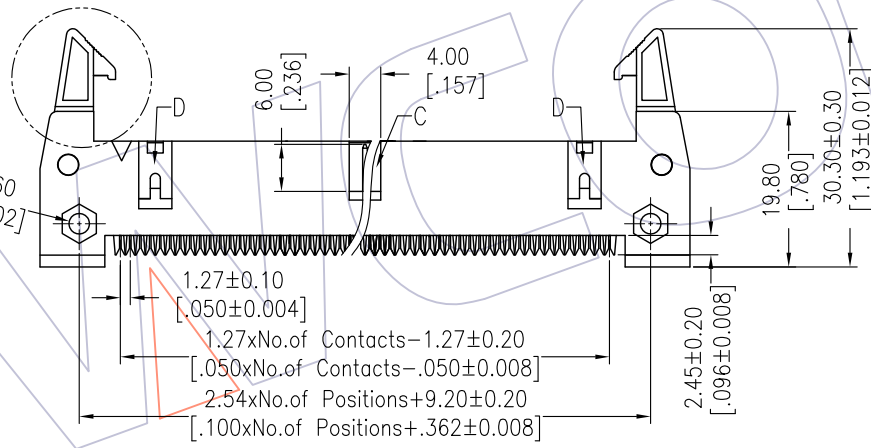
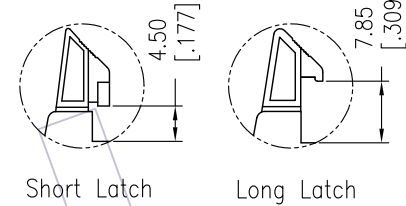
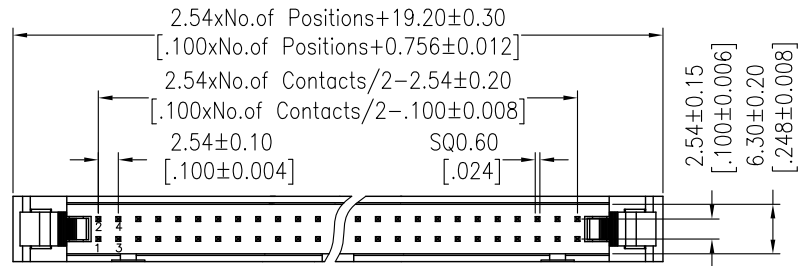
NOTES:  
 Current Rating: 3.0AMP  
 Contact Resistance: 20mΩ Max  
 Withstand Voltage: 1000V AC/DC  
 Insulation Resistance: 1000MΩ Min  
 Operation Temperature: -40°C to +105°C

Contact Material: Brass  
 Contact plating: Au over Ni  
 Insulator Material: PBT+30%G.F UL94V-0  
 10P-18P With "C", Without "D",  
 20P-64P With "C" and "D".

## Ordering Information

3820-XX XX N X X 0 1

No. of Pins	Contact Plating	Insulator Color	Latch Type
10 30	S0=Gold Flash/Ni	G=Grey(427C)	L=Long Latch
14 34	S3=10u"Gold/Ni	E=Grey(413C)	S=Short Latch
16 40	S4=15u"Gold/Ni	B=Black	N=Without Latch
20 50	S5=30u"Gold/Ni	U=Blue	
26 60			
64			



Item	Pitch	Mating
Standard	2.54	5212
Alternate		

REV	DATE	MODIFICATION DESCRIPTION	CHANGE	OPERATION	DRAW	DATE	SCALE	FIT	PART NO.
A2	2017/03/15	Modify	-----	x.x ±0.40	Surong Xu	2017/03/15	UNIT	mm	3820-XXXXNXX01
A1	2012/11/22	Modify The Contact Plating	-----	x.xx ±0.25	CHECK	DATE	SIZE	A4	TITLE:
A0	2012/10/08	NEW	-----	x.xxx ±0.15	APPROVE	DATE	SHEET	1/1	2.54mm EJECTOR HEADER
				Angle ± 3'			PROJ.		IDC TYPE
				DIM TOL					Customer NO.

**WCON**  
 Http: www.wcon.com

WCON-Dongguan Tel: +86 769 85358920 Fax: +86 769 85358915 E-mail: sales@wcon.com	WCON-Kunshan Tel: +86 512 57468408 Fax: +86 512 57468468 E-mail: salesks@wcon.com
---	--