

# HSF

**NOTES:**

Rated Current:1.0AMP  
 Contact Resistance:20mΩ max  
 Withstand Voltage:500V AC/DC  
 Insulation Resistance:1000MΩ min  
 Operation Temperature:-55℃ to +125℃

Contact Material:Brass  
 Contact Plating:Au or Sn Over Ni  
 Insulator Material:LCP+30%G.F UL94V-0

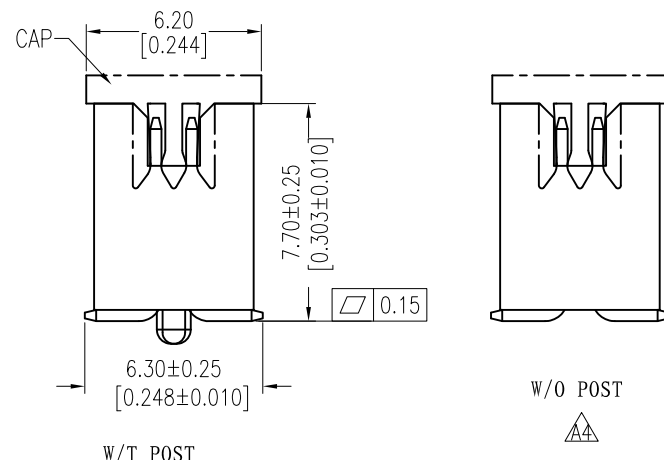
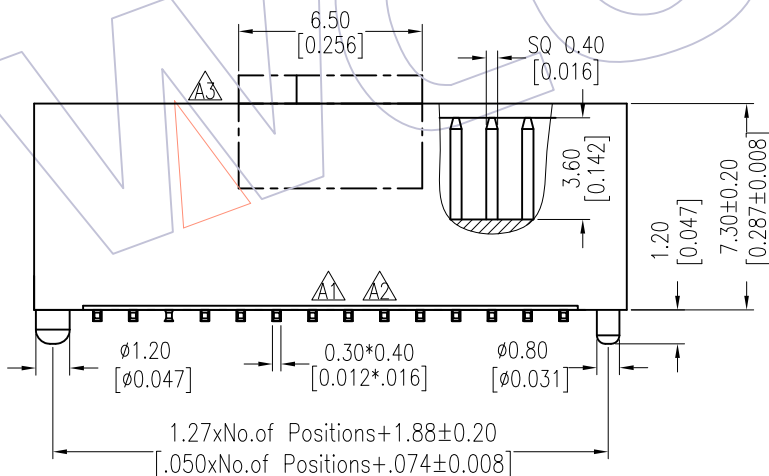
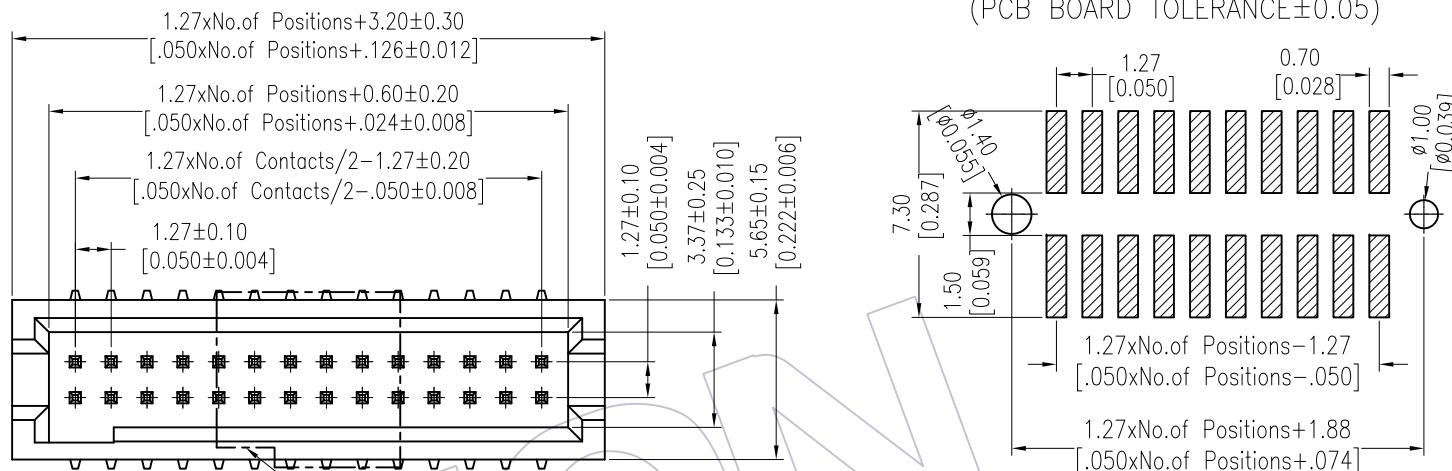
## Ordering Information

3133-XX M XX B K00 X X

No.of Pins	Contact Plating	Color Insulator	Packing
10 34	G0=Gold Flash	B=Black	T=Tube
14 40	G3=10u"Gold		P=Tube+CAP
16 44	G4=15u"Gold		R=Tape&Reel+CAP
20 50	G5=30u"Gold		
24 60	S0=Gold Flash/Tin		
26 64	S3=10u"Gold/Tin		
30 80	S4=15u"Gold/Tin		
32 100	S5=30u"Gold/Tin		
	SN=Tin		

item	PART NO.
W/O POST	3133-XXMXXXK00X1
W/T POST	3133-XXMXXXK00X2

Recommended P.C.B Layout(Top Side)  
 (PCB BOARD TOLERANCE±0.05)



REV	DATE	MODIFICATION DESCRIPTION	CHANGE	OPERATION	DRAW	DATE	SCALE	FIT	PART NO.
A4	2015/04/16	Modify	△	X.X ±0.40	Allen	2015/04/16	mm		3133-XXMXXXK00XX
A3	2012/08/31	Modify CAP	△△	X.XX ±0.25	CHECK	DATE	inch		TITLE:
A2	2011/08/09	Modify	△△	X.XXX ±0.15			A4		1.27 BOX HEADER SMT H=7.30
A0	2010/06/01	NEW	—	Angle ± 3°	APPROVE	DATE	1/1		Customer NO.
				DIM TOL					

**WCON**  
 Http: www.wcon.com  
 WCON-Dongguan Tel: +86 769 85358920  
 WCON-Kunshan Tel: +86 512 57468408  
 Fax: +86 769 85358915 Fax: +86 512 57468468  
 E-mail: sales@wcon.com E-mail: salesks@wcon.com