

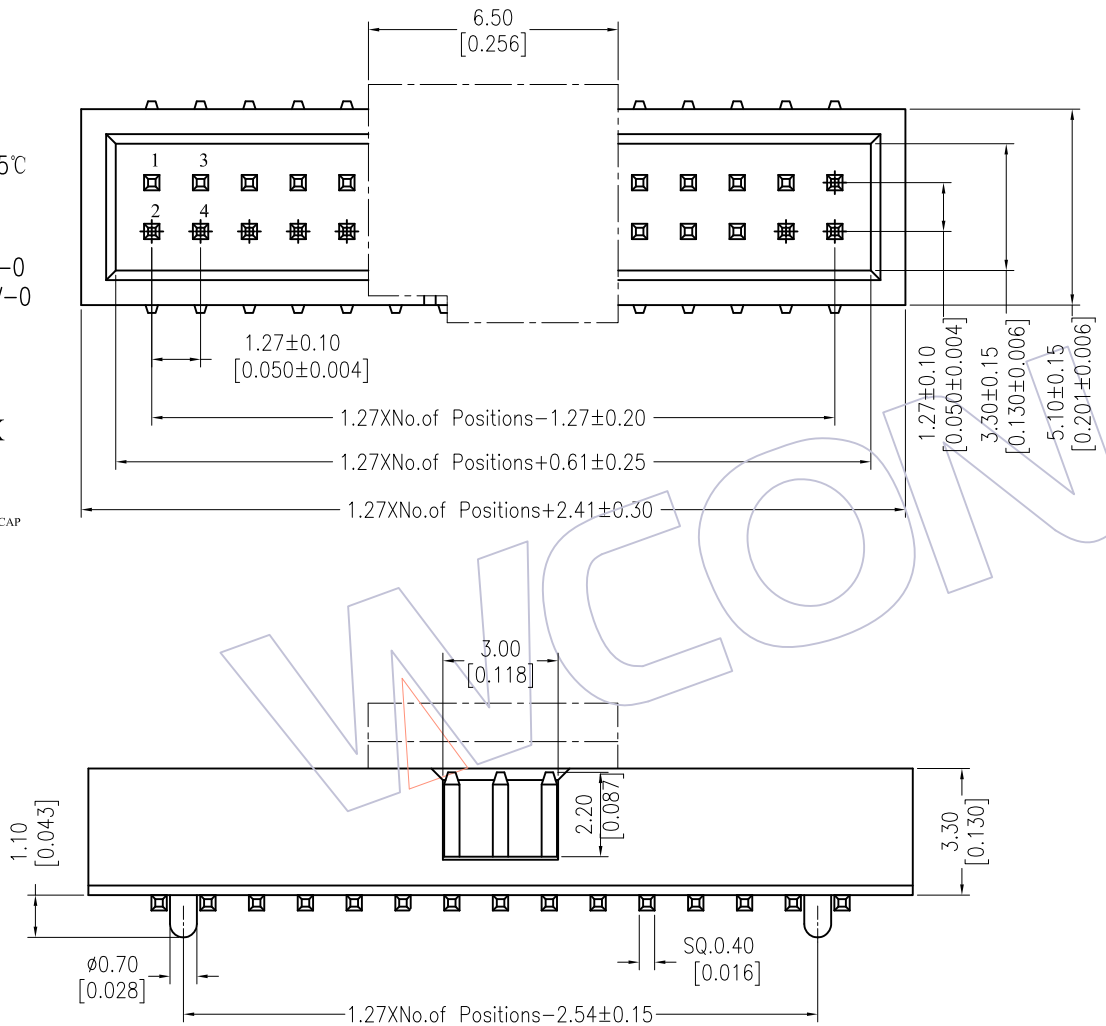
# HSF

NOTES:  
 Current Rating: 1.0AMP  
 Contact Resistance: 20mΩ Max  
 Withstand Voltage: 500V AC/DC  
 Insulation Resistance: 1000MΩ Min  
 Operation Temperature: -40°C to +105°C  
 Contact Material: Brass  
 Contact plating: Au or Sn over Ni  
 Insulator Material: PA9T+30%GF UL94V-0  
 Or LCP+30%GF UL94V-0

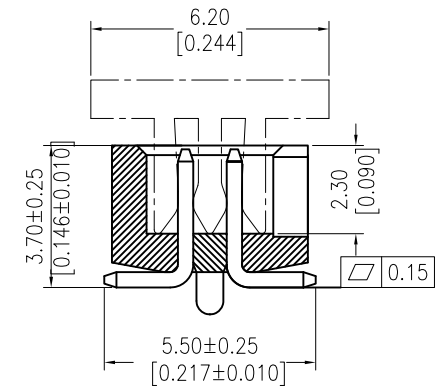
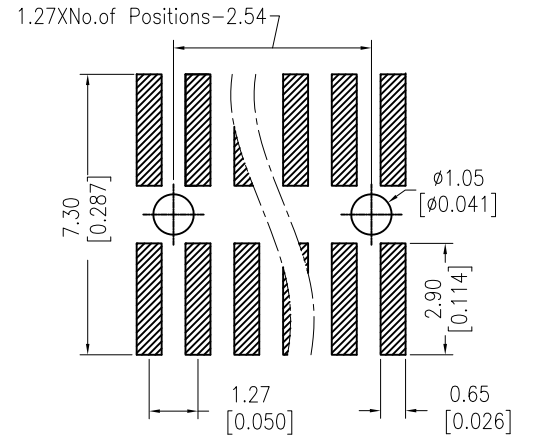
### Ordering Information

3136A-XX M XX BK 00 XX

No. of Pins	Contact Plating	Color Insulator	Packing
6 34	G0=Gold Flash	D=Black	T=Tube
10 40	G1=3u"Gold		P=Tube+CAP
14 44	G2=5u"Gold		R=Tape&Reel+CAP
16 50	G3=10u"Gold		
20 60	G4=15u"Gold		
24 64	G5=30u"Gold		
26 80	S0=Gold Flash/Tin		
30 100	S1=3u"Gold/Tin		
	S2=5u"Gold/Tin		
	S3=10u"Gold/Tin		
	S4=15u"Gold/Tin		
	S5=30u"Gold/Tin		
	SN=Tin		



Recommended P.C.B Layout (Top Side)  
 (PCB BOARD TOLERANCE ± 0.05)



REV	DATE	MODIFICATION DESCRIPTION	CHANGE	OPERATION		DRAW	DATE	SCALE	FIT	PART NO.
				X.X	±0.40					
				X.XX	±0.25	CHECK	DATE	SIZE	A4	
				X.XXX	±0.15	APPROVE	DATE	SHEET	1/1	
				Angle	± 3'					Customer NO.
				DIM	TOL					

**WCON**  
 Http: www.wcon.com

WCON-Dongguan Tel: +86 769 85358920 Fax: +86 769 85358915 E-mail: sales@wcon.com

WCON-Kunshan Tel: +86 512 57468408 Fax: +86 512 57468468 E-mail: salesks@wcon.com