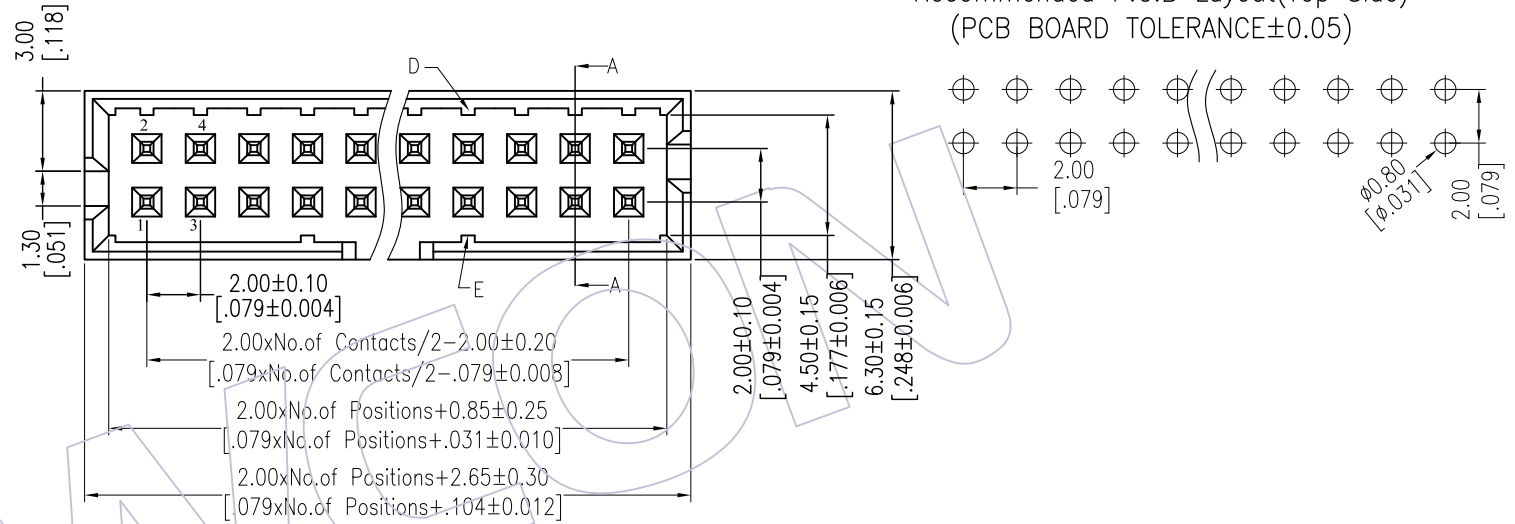


# HSF

NOTES:  
 Current Rating: 2.0AMP  
 Contact Resistance: 20mΩ Max  
 Withstand Voltage: 500V AC/DC  
 Insulation Resistance: 1000MΩ Min  
 Operation Temperature: -40°C to +105°C

Contact Material: Brass  
 Contact plating: Au Or Sn over Ni  
 Insulator Material: PA9T+30%G.F UL94V-0  
 6Pin Without Identirication "D", "E"

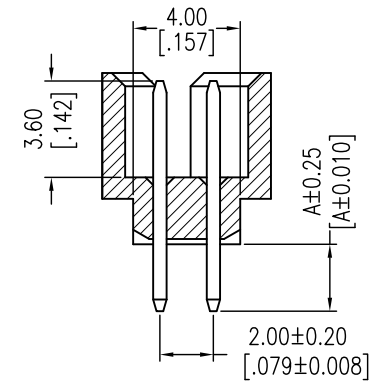
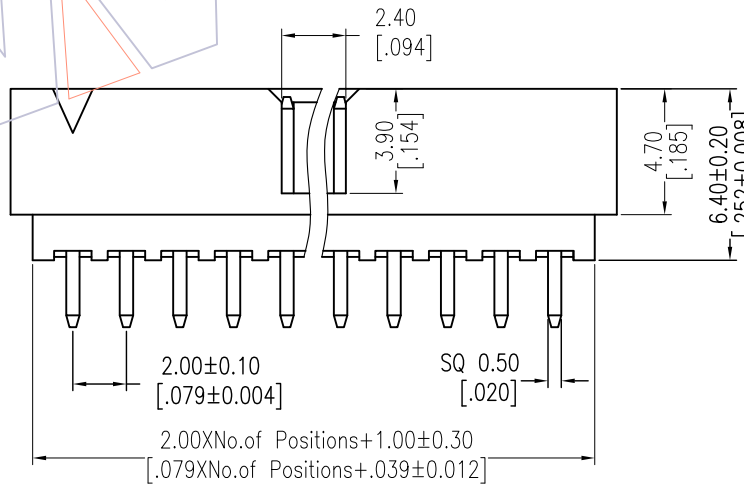
Recommended P.C.B Layout(Top Side)  
 (PCB BOARD TOLERANCE±0.05)



## Ordering Information

3121A-XX S XX B K00 X 1

△ No. of Pins	Contact Plating	Color Insulator	Packing
6 26	G0=Gold Flash	B=Black	T=Tube
8 30	G3=10u"Gold		
10 34	G4=15u"Gold		
14 40	G5=30u"Gold		
16 44	S0=Gold Flash/Tin		
20 50	S3=10u"Gold/Tin		
24	S4=15u"Gold/Tin		
	S5=30u"Gold/Tin		
	SN=Tin		



Item	Pitch	Mating	Dip(A)
Standard	2.00	5223	2.50
Alternate			

REV	DATE	MODIFICATION DESCRIPTION	CHANGE	OPERATION	DRAW	DATE	SCALE	FIT	PART NO.
A1	2015/08/27	Modify	△	x.X ±0.40	Allen	2015/08/27	UNIT	mm	3121A-XXSXXBK00XX
AO	2012/09/21	NEW	-----	x.XX ±0.25	CHECK	DATE	SIZE	A4	TITLE: 2.00 BOX HEADER 180° H=6.4 WITHOUT CUT
				x.XXX ±0.15	APPROVE	DATE	SHEET	1/1	Customer NO.
				Angle ± 3'			PROJ.		
				DIM TOL					

# WCON

Http: www.wcon.com

WCON-Dongguan  
 Tel: +86 769 85358920  
 Fax: +86 769 85358915  
 E-mail: sales@wcon.com

WCON-Kunshan  
 Tel: +86 512 57468408  
 Fax: +86 512 57468468  
 E-mail: salesks@wcon.com