

HSF

NOTES:
 Current Rating: 2.0AMP
 Contact Resistance: 20mΩ Max
 Withstand Voltage: 500V AC/DC
 Insulation Resistance: 1000MΩ Min
 Operation Temperature: -40°C to +105°C

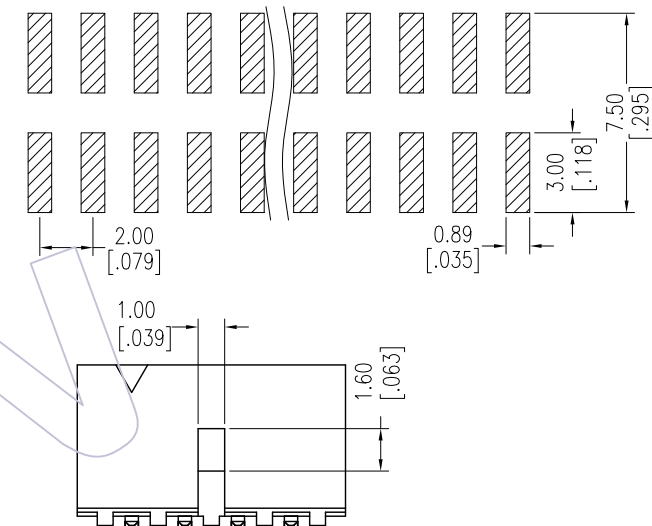
Contact Material: Brass
 Contact plating: Au Or Sn over Ni
 Insulator Material: PA9T+30%G.F UL94V-0

Ordering Information

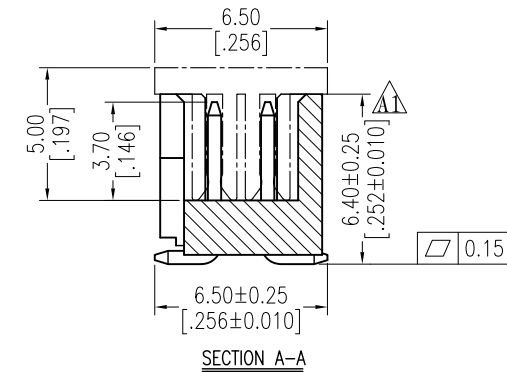
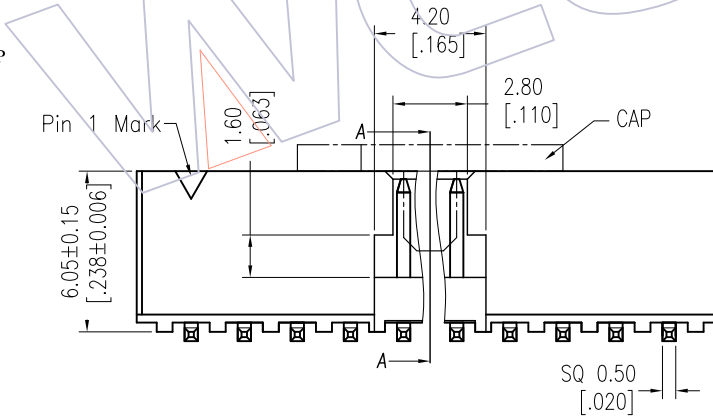
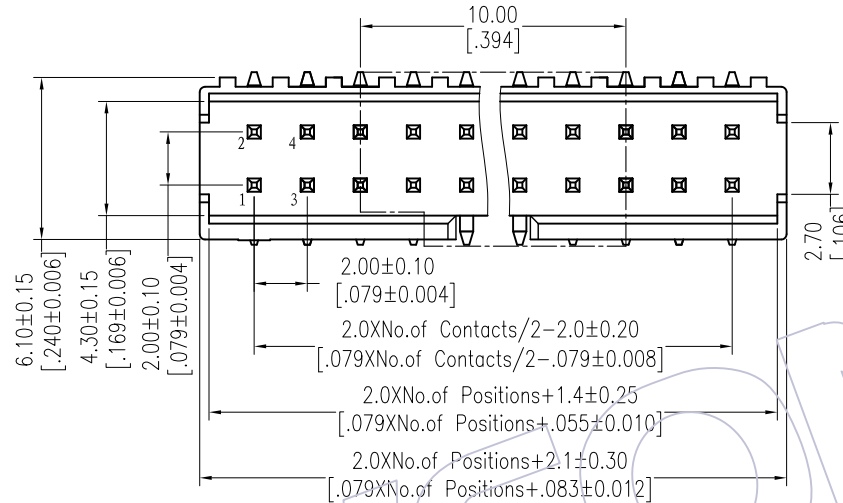
3122-XX M XX B K00 X 1

No. of Pins	Contact Plating	Color Insulator	Packing
10 30	G0=Gold Flash	B=Black	A=Tray
14 34	G3=10u"Gold	W=White	T=Tube
16 40	G4=15u"Gold		P=Tube+CAP
20 44	G5=30u"Gold		R=Tape&Reel+CAP
24 50	S0=Gold Flash/Tin		
24 50	S3=10u"Gold/Tin		
26 60	S4=15u"Gold/Tin		
	S5=30u"Gold/Tin		
	SN=Tin		

Recommended P.C.B Layout(Top Side)
 (PCB BOARD TOLERANCE±0.05)



8P结构图



Item	Pitch	Mating
Standard	2.00	5224
Alternate		

				OPERATION	DRAW	DATE	SCALE	FIT	PART NO.	 Http: www.wcon.com
				x.x ±0.40	Allen	2015/03/16	UNIT	mm	3122-XXMXXBK00X1	
A1	2015/03/16	Modify	△	x.xx ±0.25	CHECK	DATE	SIZE	A4	TITLE:	
AO	2012/09/22	NEW	----	x.xxx ±0.15			SHEET	1/1	2.00 BOX HEADER SMT H=6.10 "F" TYPE	WCON-Dongguan Tel: +86 769 85358920 Fax: +86 769 85358915 E-mail: sales@wcon.com
REV	DATE	MODIFICATION DESCRIPTION	CHANGE	Angle ± 3'	APPROVE	DATE	PROJ.	Customer NO.	H=6.10 "F" TYPE WCON-Kunshan Tel: +86 512 57468408 Fax: +86 512 57468468 E-mail: sales@wcon.com	
				DIM	TOL					