

HSF

NOTES:
 Current Rating:1.5AMP
 Contact Resistance:20mΩ max
 Withstand Voltage:500V AC/DC
 Insulation Resistance:1000MΩ min
 Operation Temperature:-40°C to +105°C

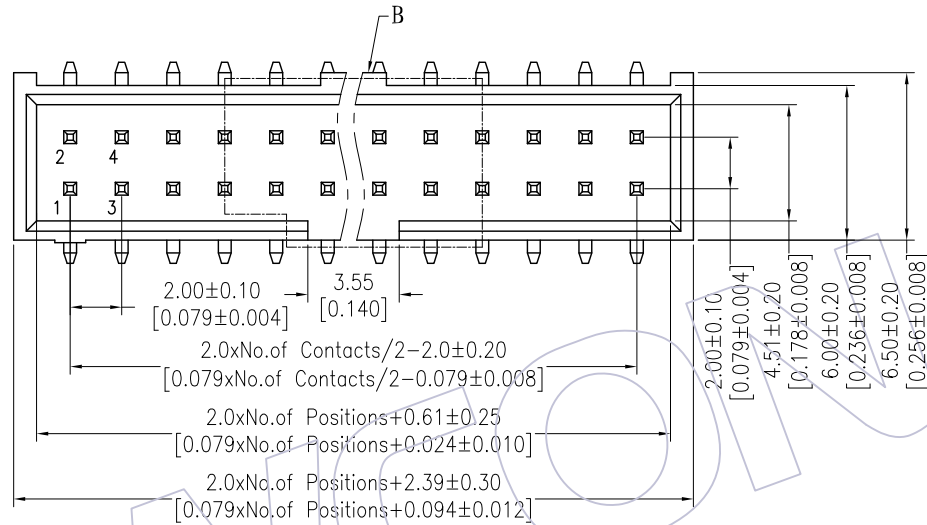
Contact Material:Brass
 Contact plating:Au or Sn Over Ni
 Insulator Material:LCP+30%GF(UL94V-0)

4P-6P Without "A" and "B"

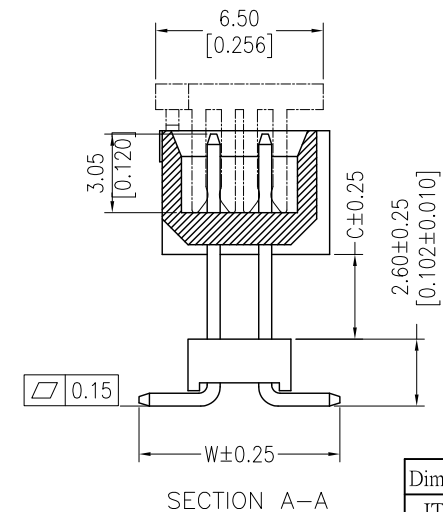
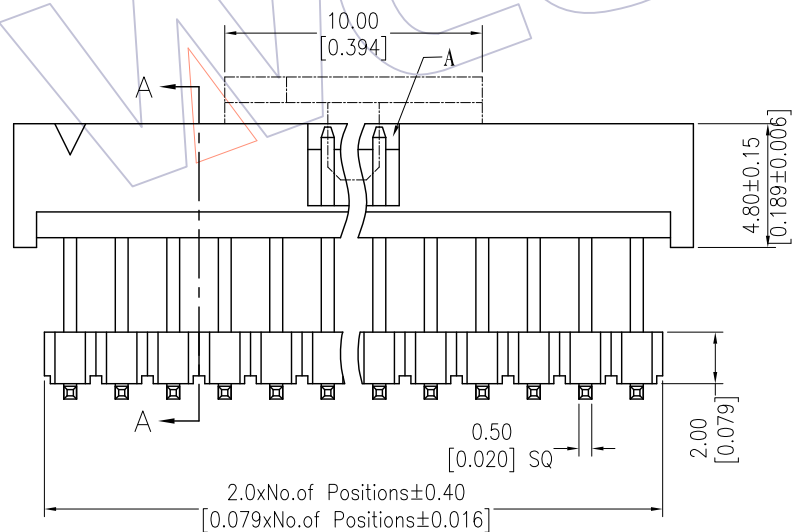
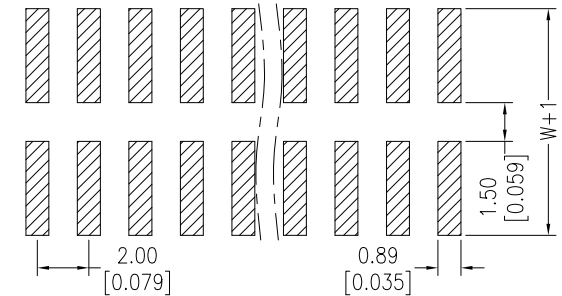
Ordering Information

3124A-XX M XX B D00 X 1

No.of Pins	Contact Plating	Color Insulator	Packing
10 30	G0=Gold Flash	B=Black	T=Tube
14 34	G1=3u"Gold		P=Tube+CAP
16 40	G2=5u"Gold		
20 44	G3=10u"Gold		
24 50	G4=15u"Gold		
26 60	G5=30u"Gold		
	S0=Gold Flash/Tin		
	S1=3u"Gold/Tin		
	S2=5u"Gold/Tin		
	S3=10u"Gold/Tin		
	S4=15u"Gold/Tin		
	S5=30u"Gold/Tin		
	SN=Tin		



Recommended P.C.B Layout(Top Side)
 (PCB BOARD TOLERANCE±0.05)



Dimension antitheses list		
ITEM	W	C
Standard	7.80	
Alternate		

REV	DATE	MODIFICATION DESCRIPTION	CHANGE	OPERATION	DRAW	DATE	SCALE	FIT	PART NO.
A2	2015/04/02	Modify		x.X ±0.40	Allen	2015/04/02	UNIT	mm	3124A-XXMXXBD00X1
A1	2012/08/21	MODIFY 3124-XXMXXBD00X2 → 3124A-XXMXXBD00X1		x.XX ±0.25	CHECK	DATE	SIZE	A4	
A0	2008/05/06	NEW	—	x.XXX ±0.15	APPROVE	DATE	SHEET	1/1	TITLE: 2.00 BOX HEADER SMT H=4.8 "S" TYPE (SHORT TYPE) ADD HOUSING
				Angle ± 3'			PROJ.		Customer NO.
				DIM TOL					

WCON
 Http: www.wcon.com

WCON-Dongguan Tel: +86 769 85358920
 WCON-Kunshan Tel: +86 512 57468408
 Fax: +86 769 85358915
 Fax: +86 512 57468468
 E-mail: sales@wcon.com
 E-mail: salesks@wcon.com