

HSF

NOTES:

Current Rating:1.5AMP
 Contact Resistance:20mΩ max
 Withstand Voltage:500V AC/DC
 Insulation Resistance:1000MΩ min
 Operation Temperature:-40℃ to +105℃

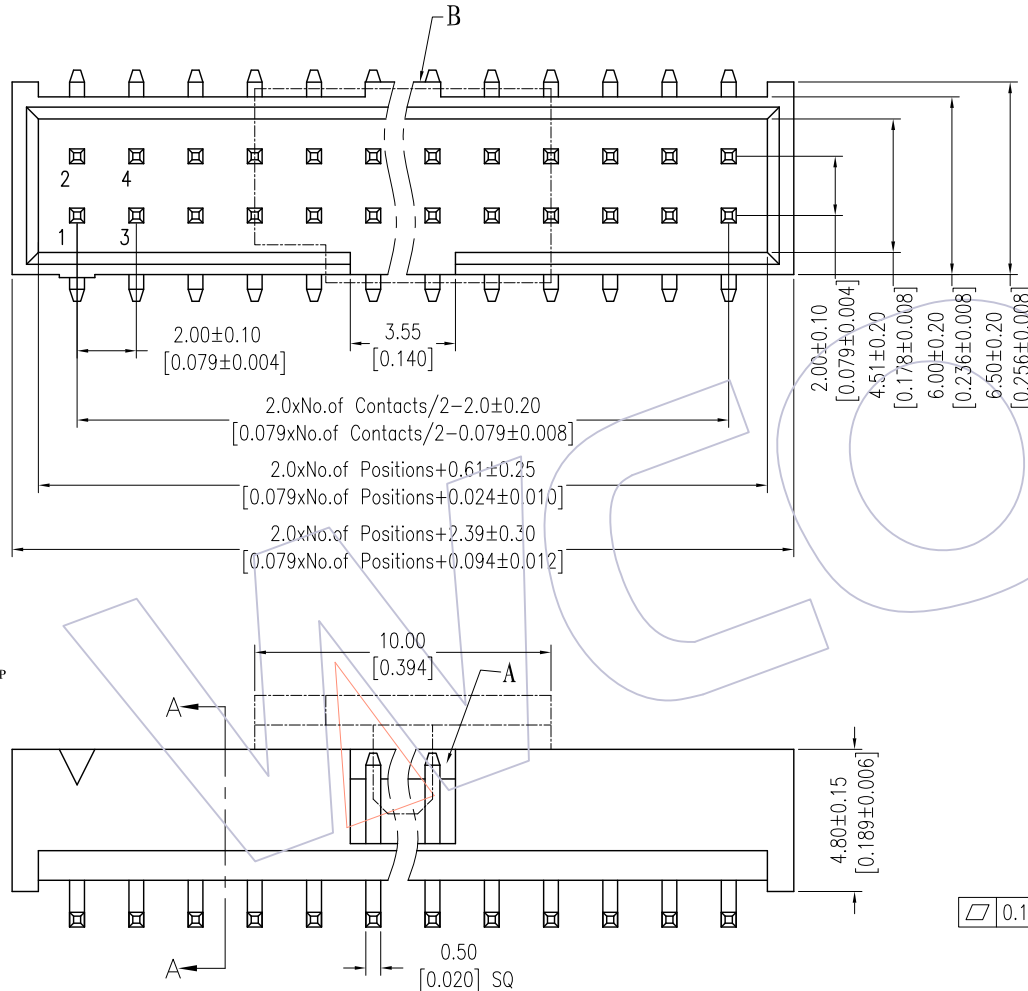
Contact Material:Brass
 Contact plating:Au or Sn Over Ni
 Insulator Material:LCP+30%GF(UL94V-0)

4P-6P Without "A" and "B"

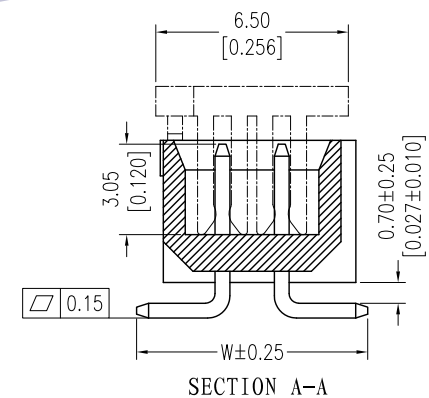
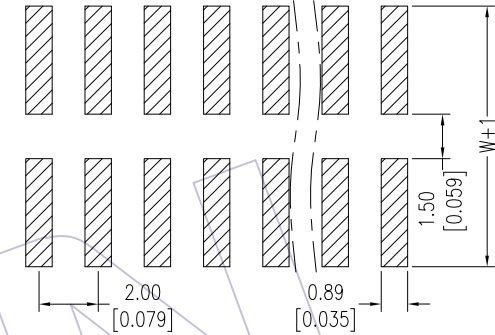
Ordering Information

3124A-XX M XX B K00 X 1

| No.of Pins | Contact Plating | Color Insulator | Packing |
|------------|-------------------|-----------------|-----------------|
| 10 30 | G0=Gold Flash | B=Black | T=Tube |
| 14 34 | G1=3u"Gold | U=Blue | P=Tube+CAP |
| 16 40 | G2=5u"Gold | W=White | R=Tape&Reel+CAP |
| 20 44 | G3=10u"Gold | | |
| 24 50 | G4=15u"Gold | | |
| 26 60 | G5=30u"Gold | | |
| | S0=Gold Flash/Tin | | |
| | S1=3u"Gold/Tin | | |
| | S2=5u"Gold/Tin | | |
| | S3=10u"Gold/Tin | | |
| | S4=15u"Gold/Tin | | |
| | S5=30u"Gold/Tin | | |
| | SN=Tin | | |



Recommended P. C. B Layout (Top Side)
 (PCB BOARD TOLERANCE ± 0.05)



| ITEM | W |
|-----------|------|
| Standard | 7.80 |
| Alternate | |

| REV | DATE | MODIFICATION DESCRIPTION | CHANGE | OPERATION | DRAW | DATE | SCALE | FIT | PART NO. |
|-----|------------|---|--------|-------------|---------|------------|-------|-----|---------------------------|
| A3 | 2015/04/02 | MODIFY | | OPERATION | Allen | 2015/04/02 | SCALE | FIT | 3124A-XXMXXBK00X1 |
| A2 | 2012/08/21 | MODIFY 3124-XXMXXBS00X1 → 3124A-XXMXXBK00X1 | | X.X ±0.40 | CHECK | DATE | UNIT | mm | TITLE: |
| A1 | 2012/07/28 | MODIFY 3124-XXMXXBK00X2 → 3124-XXMXXBS00X1 | | X.XX ±0.25 | APPROVE | DATE | SIZE | A4 | 2.00 BOX HEADER SMT H=4.8 |
| A0 | 2008/05/06 | NEW | --- | X.XXX ±0.15 | | | SHEET | 1/1 | "S" TYPE (SHORT TYPE) |
| | | | | Angle ± 3' | | | PROJ. | | Customer NO. |
| | | | | DIM TOL | | | | | |

WCON
 Http: www.wcon.com

WCON-Dongguan Tel: +86 769 85358920 Fax: +86 769 85358915 E-mail: sales@wcon.com
 WCON-Kunshan Tel: +86 512 57468408 Fax: +86 512 57468468 E-mail: salesks@wcon.com