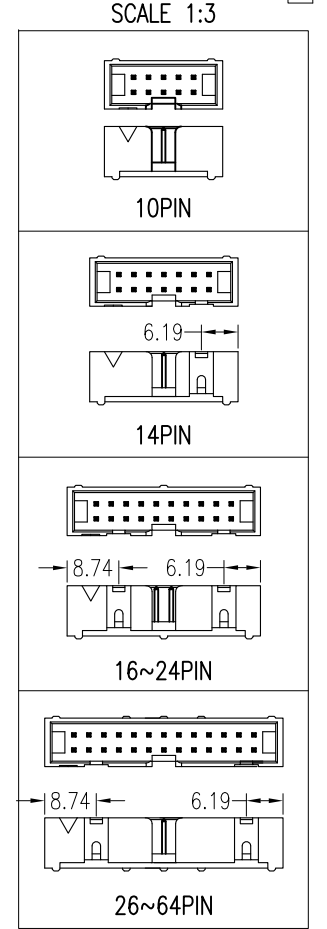
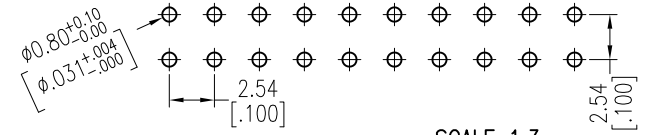
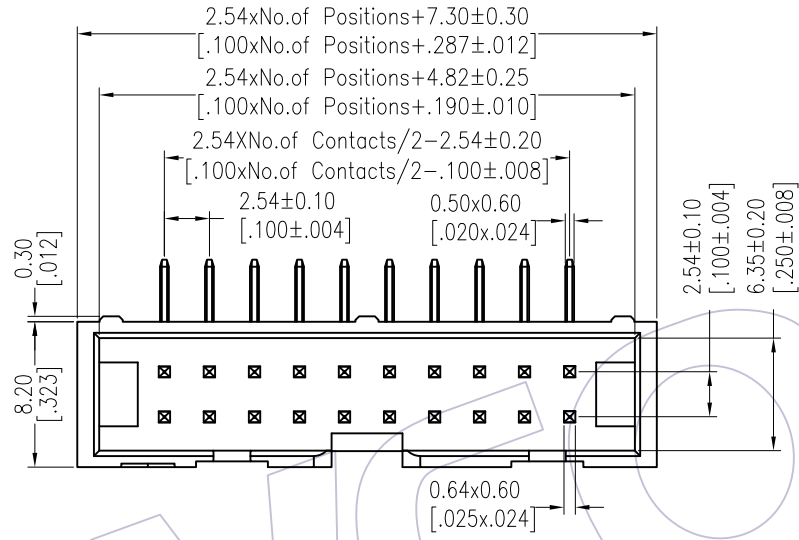


# HSF

Recommended P.C.B Layout (Top Side)  
(PCB BOARD TOLERANCE±0.05)

NOTES:  
 Rated Current:3.0AMP.  
 Contact Resistance:20mΩ Max.  
 Withstand Voltage:1000V AC/DC  
 Insulation Resistance:1000MΩ Min.  
 Operation Temperature:-40°C to +105°C

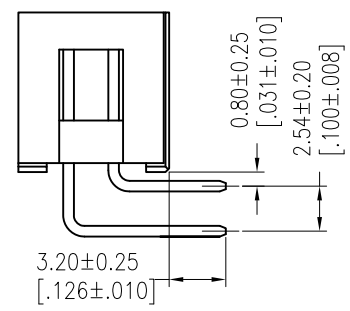
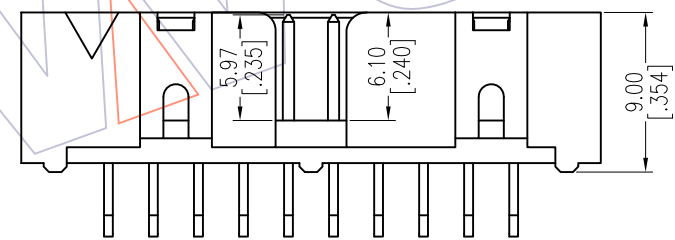
Contact Material:Brass  
 Contact Plating:Au or Sn Over Ni  
 Insulator Material:PBT+30%G.F UL94V-0 BK



## Ordering Information

3113- XX R XX B K00 X 1

No. of Pins	Contact Plating	Packing
10P 30P	S0=Gold Flash/Tin	A=Tray
14P 34P	S3=10u"Gold/Tin	
16P 40P	S4=15u"Gold/Tin	
20P 50P	S5=30u"Gold/Tin	
24P 60P	SN=Tin	
26P 64P		



				OPERATION	DRAW	DATE	SCALE	Fit	PART NO.
				X.X ±0.40	William Chen	2016/03/15	UNIT	mm	3113-XXRXXBK00XX
				X.XX ±0.25	CHECK	DATE	SIZE	A4	TITLE:
				X.XXX ±0.15	APPROVE	DATE	SHEET	1/1	2.54 Box Header,R/A,H=9.0
AO	2016/03/15	NEW	-----	Angle ± 3'			PROJ.	Customer NO.	
REV	DATE	MODIFICATION	DESCRIPTION	CHANGE	DIM	TOL			

**WCON**  
 Http: www.wcon.com

WCON-Dongguan  
 Tel: +86 769 85358920  
 Fax: +86 769 85358915  
 E-mail: sales@wcon.com

WCON-Kunshan  
 Tel: +86 512 57468408  
 Fax: +86 512 57468468  
 E-mail: salesks@wcon.com