

# HSF

### NOTES:

1. MATERIAL:  
 1.1 HOUSING:PA66+30%GF(UL94V-0)  
 1.2 COVER:PA66+30%GF(UL94V-0)  
 1.3 TERMINAL:BRASS,MATTE TIN PLATED OVER NICKEL
2. ELECTRICAL:  
 2.1 CURRENT RATING: 8 A  
 2.2 VOLTAGE RATING: 300 V  
 2.3 CONTACT RESISTANCE:8 mΩ MAX.  
 2.4 DIELECTRIC WITHSTANDING VOLTAGE:2000V AC  
 2.5 INSULATION RESISTANCE:1000 MΩ MIN
3. ENVIRONMENTAL:  
 3.1 OPERATION TEMPERATURE:-40°C TO +105°C
4. No.OF POSITIONS:2~20
5. ALL MATERIALS SHOULD BE COMPLIANT TO ROHS

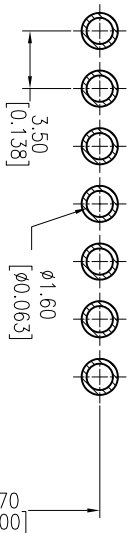
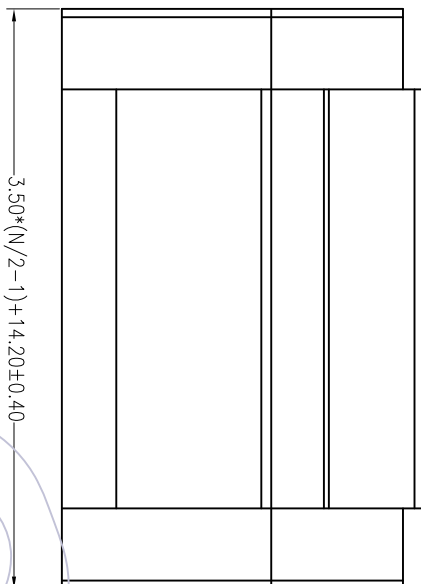
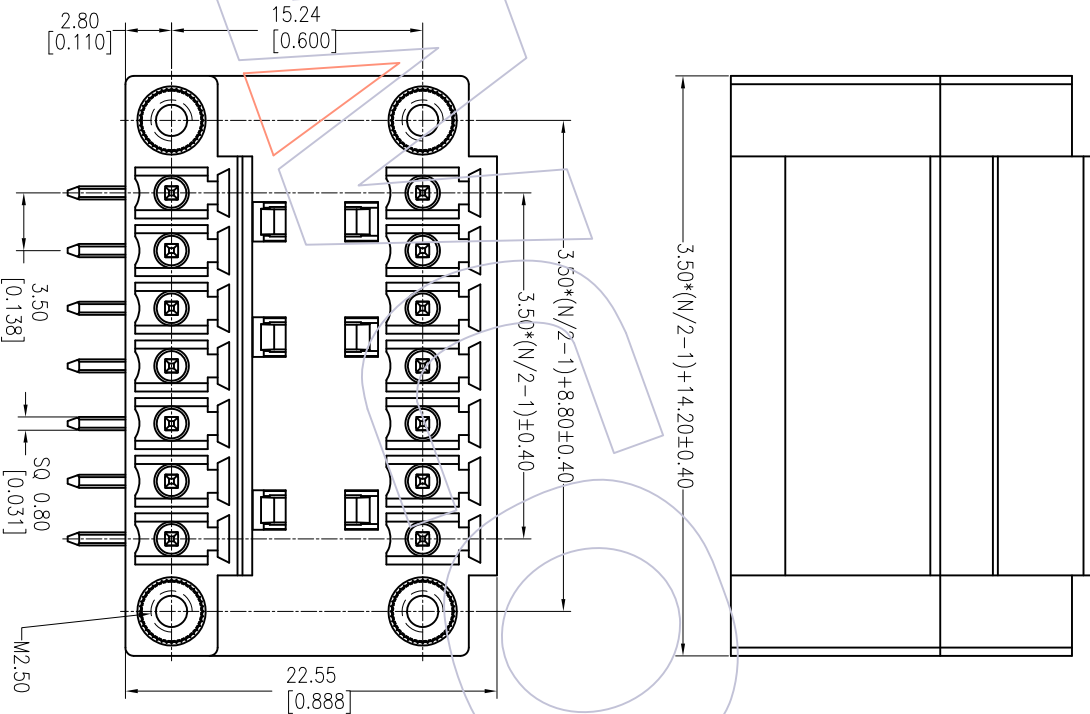
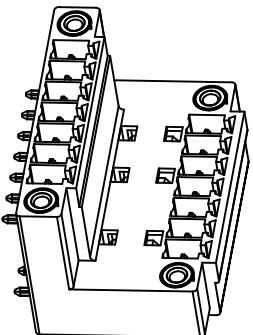
## Ordering Information:

P M 350 - 3 R XX A SM 2 N

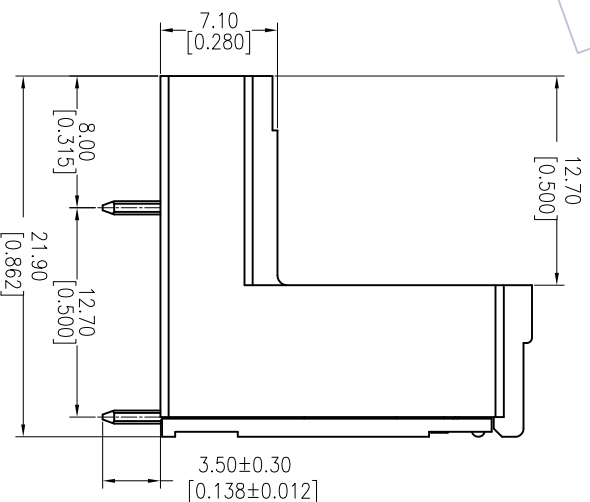
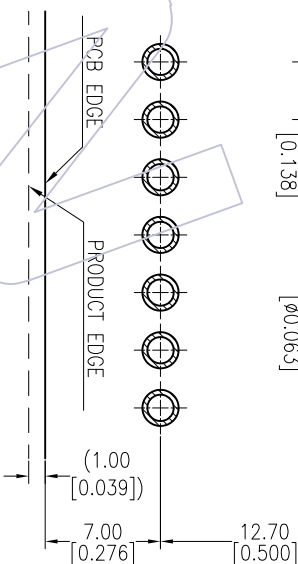
M=Male  
Pitch  
350=3.50

No.of Pins  
(Per Row) A=Green SM=White Tin  
02-20P

Contact Plated  
Series No.



Recommended P.C.B Layout (Top Side)  
(PCB BOARD TOLERANCE ± 0.05)



OPERATION		DRAW		PART NO.		TITLE:		WCON-Dongguan		WCON-Kunshan	
XX	±0.40	TsingSn	DATE	PM381-3RXXASM2N	3.50mm Pitch Male	Http: www.wcon.com					
XX	±0.25	CHECK	DATE		Pluggable Terminal Blocks						
XX	±0.15	Angle	DATE		Double Stagger Tier With Flange						
XX	± 3'	DIW	DATE		Customer NO.						
REV	DATE	MODIFICATION DESCRIPTION	CHANGE	APPROVE	PROJ.	WCON-Dongguan Tel: +86 769 85358920 Fax: +86 769 85358915 E-mail: sales@wcon.com					
A0	2013/09/17	NEW				WCON-Kunshan Tel: +86 512 57468408 Fax: +86 512 57468468 E-mail: sales@wcon.com					

# WCON