

HSF

NOTES:
 Current Rating: 1.0AMP
 Contact Resistance: 20mΩ Max
 Withstand Voltage: 500V AC/DC
 Insulation Resistance: 1000MΩ Min
 Operation Temperature: -40°C to +105°C

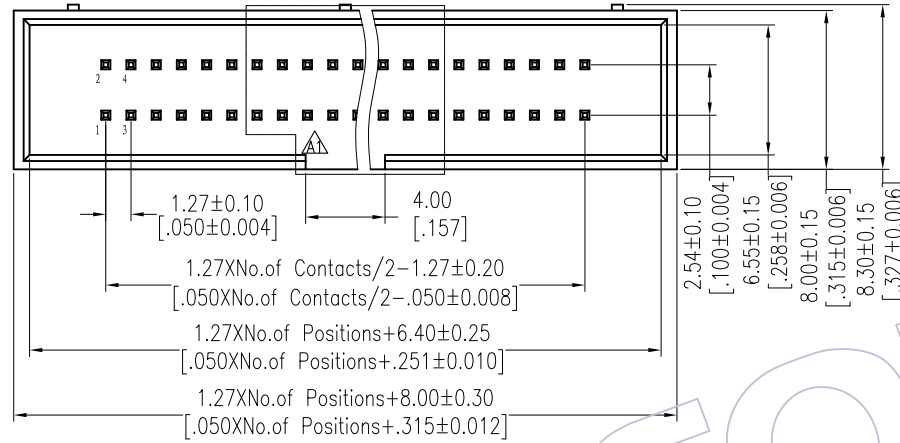
Contact Material: Brass
 Contact plating: Au Or Sn over Ni
 Insulator Material: PA9T+30%G.F UL94V-0

Ordering Information

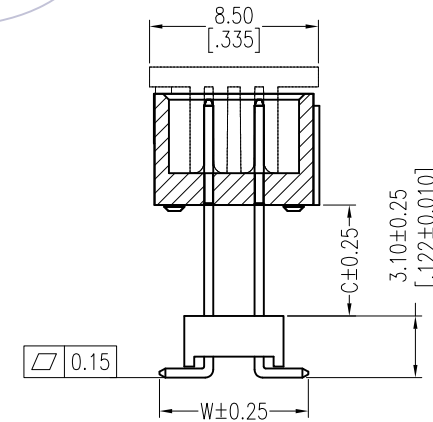
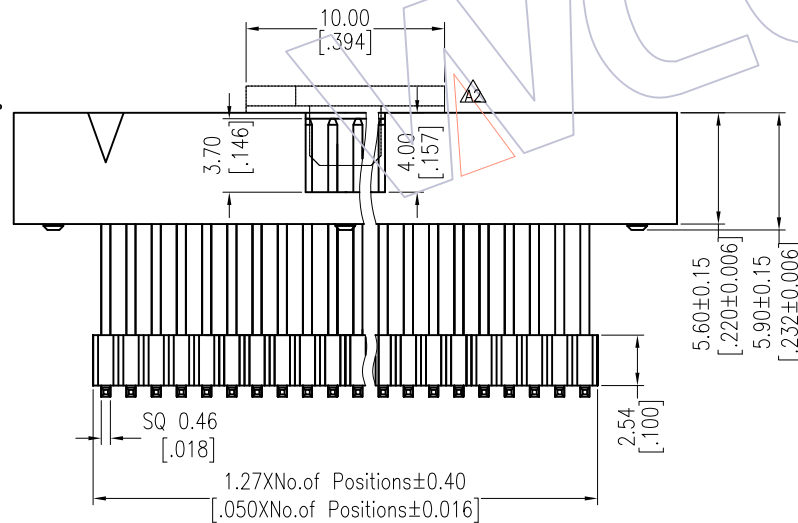
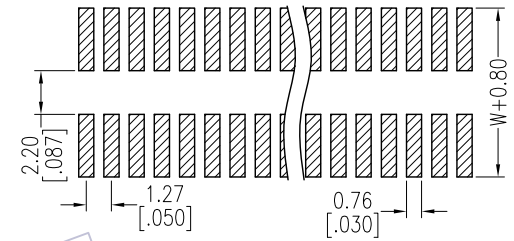
3140-XX M XX B D00 X X

No. of Pins	Contact Plating	Color Insulator	Packing
10 34	G0=Gold Flash	B=Black	R=Tape&Reel+CAP
14 40	G3=10u"Gold		T=Tube
16 44	G4=15u"Gold		P=Tube+CAP
20 50	G5=30u"Gold		
24 60	S0=Gold Flash/Tin		
26 64	S3=10u"Gold/Tin		
30 80	S4=15u"Gold/Tin		
100	S5=30u"Gold/Tin		
	SN=Tin		

Item	Pitch	Mating	W
Standard	1.27X2.54	5242	7.50
Alternate			



Recommended P.C.B Layout(Top Side)
 (PCB BOARD TOLERANCE±0.05)



REV	DATE	MODIFICATION DESCRIPTION	CHANGE	OPERATION	DRAW	DATE	SCALE	FIT	PART NO.
A2	2015/06/22	Modify THE CAP	△	X.X ±0.40	Allen	2015/06/22	UNIT	mm	3140-XXMXXBD00XX
A1	2015/04/30	ADD THE CAP	△	X.XX ±0.25	CHECK	DATE	SIZE	A4	TITLE: 1.27*2.54 BOX HEADER SMT H=5.9 ADD HOUSING
A0	2012/09/18	NEW	-----	X.XXX ±0.15	APPROVE	DATE	SHEET	1/1	Customer NO.
				Angle ± 3'			PROJ.		
				DIM TOL					

WCON
 Http: www.wcon.com

WCON-Dongguan
 Tel: +86 769 85358920
 Fax: +86 769 85358915
 E-mail: sales@wcon.com

WCON-Kunshan
 Tel: +86 512 57468408
 Fax: +86 512 57468468
 E-mail: salesks@wcon.com