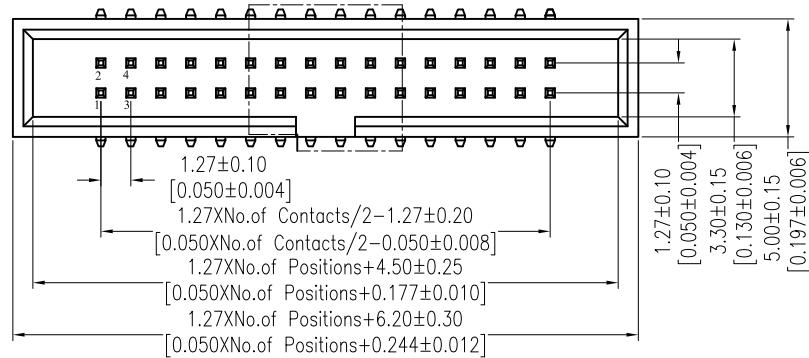


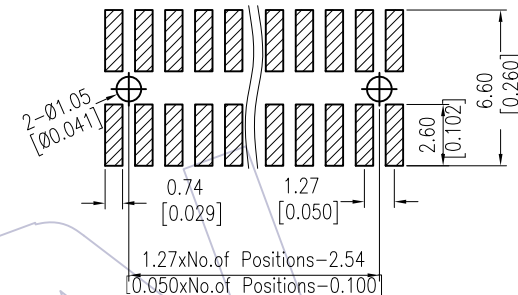
HSF

NOTES:
 Current Rating:1AMP
 Contact Resistance:20mΩ max
 Withstand Voltage:500V AC/DC
 Insulation Resistance:1000MΩ min
 Operation Temperature:-40°C to +105°C

Contact Material:Brass
 Contact plating:Au or Sn Over Ni
 Insulator Material:PA9T+33%GF(UL94V-0)



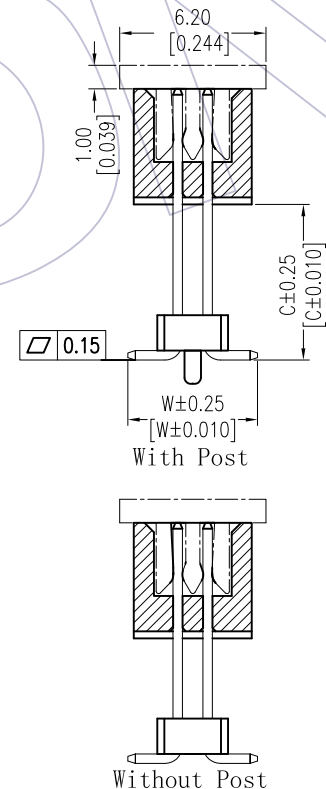
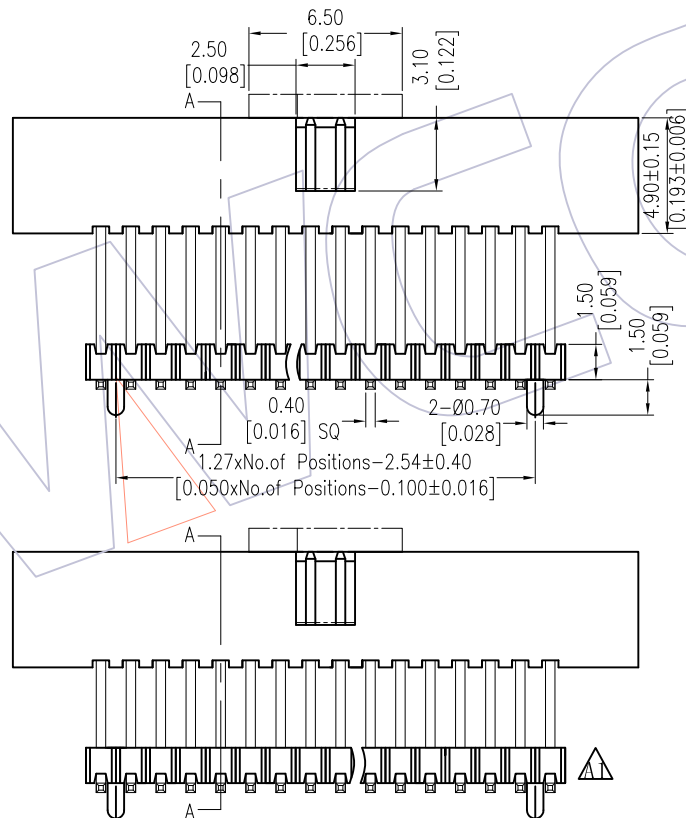
Recommended P. C. B Layout (Top Side)
 (PCB BOARD TOLERANCE ± 0.05)



Ordering Information

3130- XX M XX B D00 X X

No. of Pins	Contact Plating	Color Insulator	Packing
10 34	G0=Gold Flash	B=Black	T=Tube
14 40	G3=10u"Gold		P=Tube+CAP
16 44	G4=15u"Gold		R=Tape&Reel+CAP
20 50	G5=30u"Gold		
24 60	S0=Gold Flash/Tin		
26 64	S3=10u"Gold/Tin		
30 80	S4=15u"Gold/Tin		
32 100	S5=30u"Gold/Tin		
	SN=Tin		



Dimension antitheses list		
ITEM	W	C
Standard	5.50	6.60
Alternate		

REV	DATE	MODIFICATION DESCRIPTION	CHANGE	OPERATION	DRAW	DATE	SCALE	FIT	PART NO.
A1	2017/01/11	Modify	△	X.X ±0.40	Ding	2017/01/11	UNIT mm		3130-XXMXXBD00XX
A0	2013/01/14	NEW	—	X.XX ±0.25	CHECK	DATE	SIZE A4		TITLE: 1.27 BOX HEADER SMT H=4.90 ADD HOUSING
				X.XXX ±0.15	APPROVE	DATE	SHEET 1/1		Customer NO.
				Angle ± 3°			PROJ.		
				DIM TOL					

WCON
 Http: www.wcon.com

WCON-Dongguan WCON-Kunshan
 Tel: +86 769 85358920 Tel: +86 512 57468408
 Fax: +86 769 85358915 Fax: +86 512 57468468
 E-mail: sales@wcon.com E-mail: sales@wcon.com