

# HSF

**NOTES:**

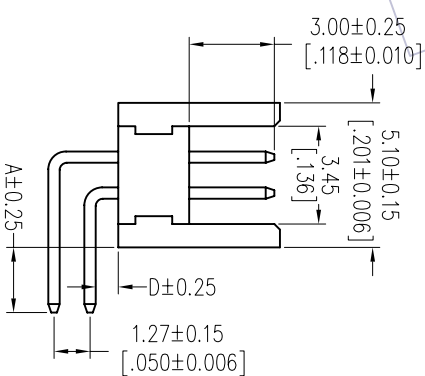
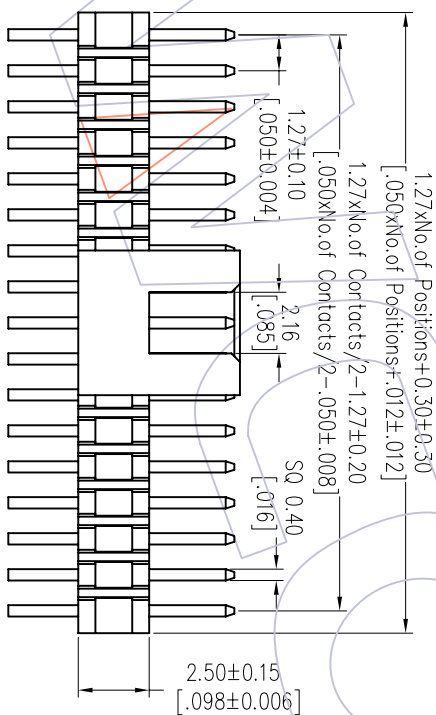
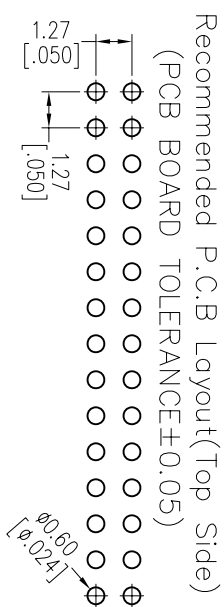
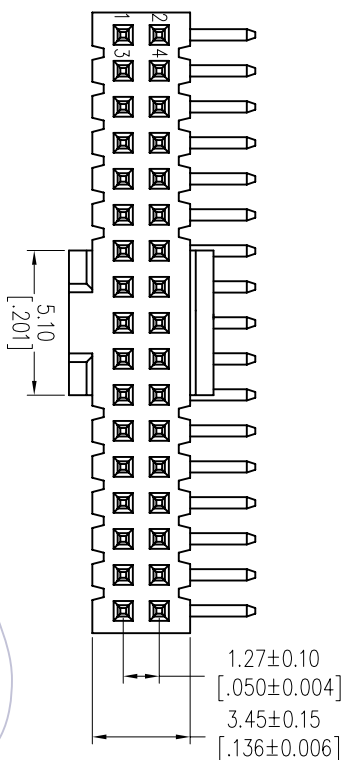
- Current Rating: 1.0AMP
- Contact Resistance: 20mΩ Max
- Withstand Voltage: 500V AC/DC
- Insulation Resistance: 1000MΩ Min
- Operation Temperature: -40°C to +105°C
- Contact Material: Brass
- Contact plating: Au Or Sn over Ni
- Insulator Material: LCP+30%G.F UL94V-0

## Ordering Information

3132-XX R XX B K00 X 1

- No. of Pins
- 10 34
- 14 40
- 16 44
- 20 50
- 24 60
- 26 64
- 30 80
- 32 100
- Contact Plating
- G0=Gold Flash
- G3=10u"Gold
- G4=15u"Gold
- G5=30u"Gold
- S0=Gold Flash/Tin
- S3=10u"Gold/Tin
- S4=15u"Gold/Tin
- S5=30u"Gold/Tin
- Color Insulator
- B=Black
- W=White
- Packing
- T=Tube

Item	Pitch	Mating	A	D
Standard	1.27	5232	2.30	0.80
Alternate				



REV	DATE	MODIFICATION DESCRIPTION	CHANGE	OPERATION	DRAW	DATE	SCALE	FIT	PART NO.	TITLE:	WCON-Dongguan	WCON-Kunshan
A0	2012/09/18	NEW	---	XX	JYHuang	2012/09/18	mm	A4	3132-XXRXXBK00X1	1.27mm BOX HEADER 90° "S" TYPE H=5.70	+86 769 85358920	+86 512 57468408
REV	DATE	MODIFICATION DESCRIPTION	CHANGE	Angle	APPROVE	DATE	SHEET	PROJ.	Customer NO.		+86 769 85358915	+86 512 57468468
				± 3'			1/1				E-mail: sales@wcon.com	E-mail: sales@wcon.com

# WCON

Http: www.wcon.com

Tel: +86 769 85358920  
Fax: +86 769 85358915  
E-mail: sales@wcon.com

Tel: +86 512 57468408  
Fax: +86 512 57468468  
E-mail: sales@wcon.com