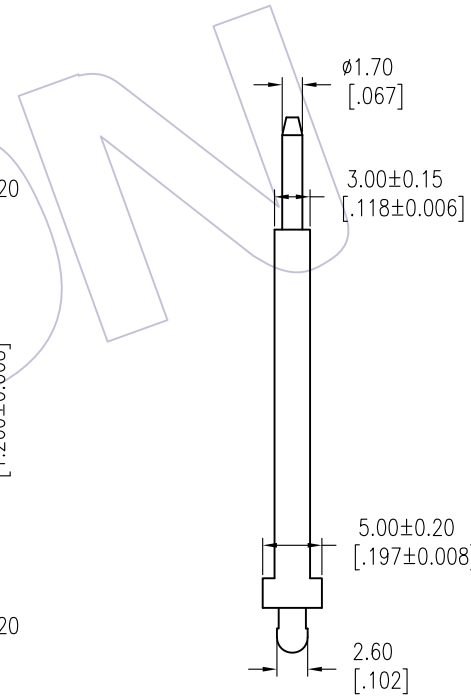
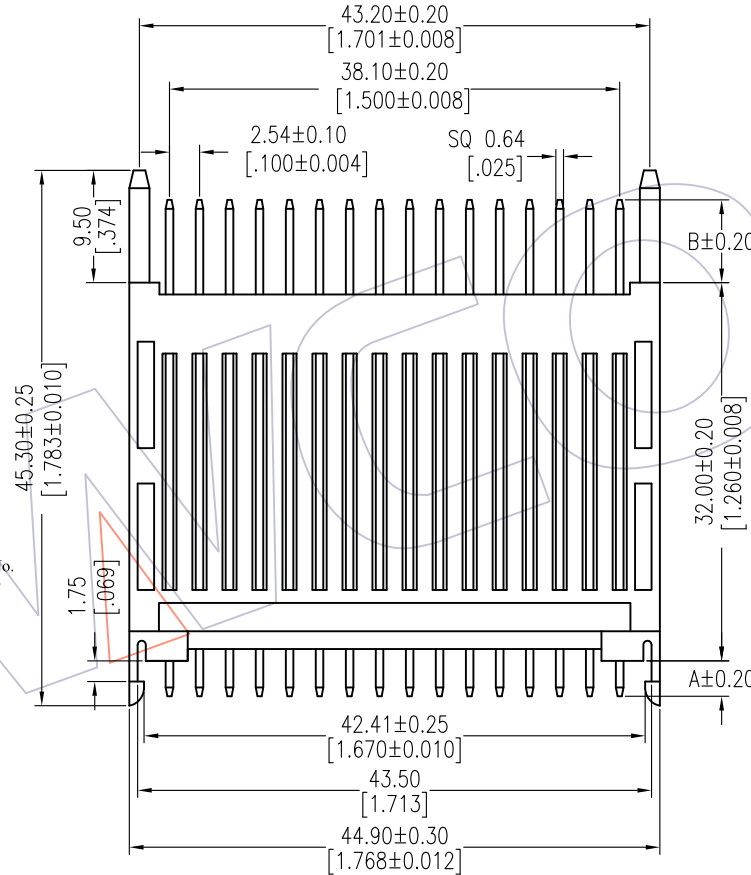
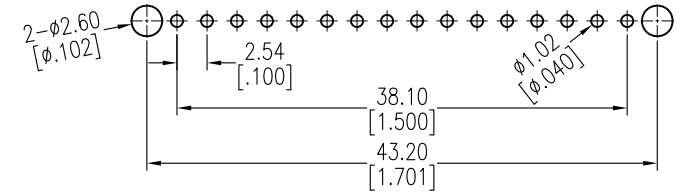
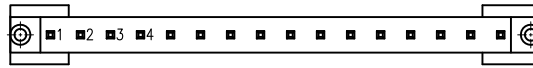


HSF

NOTES:
 Rated Current:3.0AMP.
 Contact Resistance:20mΩ Max.
 Withstand Voltage:1000V AC/DC
 Insulation Resistance:5000MΩ Min.
 Operation Temperature:-40°C to +105°C

Contact Material:Brass
 Contact Plating:Au Over Ni
 Insulator Material:PA9T+33%G.F UL94V-0 BK

Recommended P.C.B Layout (Top Side)
 (PCB BOARD TOLERANCE±0.05)



Ordering Information

11320-21 16 XX S XXX C 0 XX

Contact Plating: G0=Gold Flash, G3=10u"Gold, G4=15u"Gold, G5=30u"Gold
 Pin Length: L=A+B+32.0, Standard:420=42.0
 Insulator Material: C=PA9T
 Packing: 0=PE Bag, A=Tray
 Series No.: 01~99

Item	Pin Length	A	B
Standard	42.00	3.00	7.00
Alternate			

REV	DATE	MODIFICATION DESCRIPTION	CHANGE	OPERATION	DRAW	DATE	SCALE	Fit	PART NO.
				x.x ±0.40	Ruipeng	2018/01/22	UNIT	mm	11320-2116XXSXXXOXX
A1	2018/01/22	Modify P/N		x.xx ±0.25	CHECK	DATE	SIZE	A4	TITLE:
AO	2012/06/20	NEW	-----	x.xxx ±0.15	APPROVE	DATE	SHEET	1/1	PH2.54 1*16P 180°H=32.0
				Angle ± 3'			PROJ.		Customer NO.
				DIM TOL					

WCON

Http: www.wcon.com

WCON-Dongguan Tel: +86 769 85358920 Fax: +86 769 85358915 E-mail: sales@wcon.com
 WCON-Kunshan Tel: +86 512 57468408 Fax: +86 512 57468468 E-mail: salesks@wcon.com