

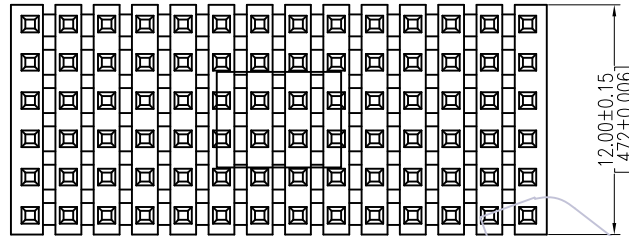
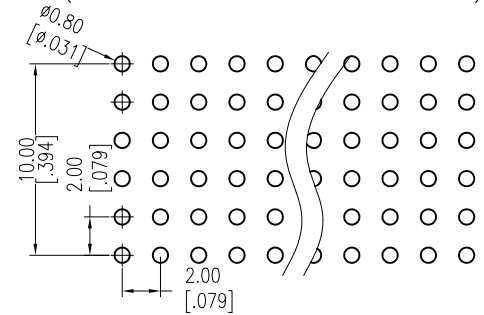
HSF

NOTES:

Rated Current:2.0AMP.
 Contact Resistance:20mΩ Max.
 Withstand Voltage:500V AC/DC
 Insulation Resistance:1000MΩ Min.
 Operation Temperature:-40℃ to +105℃

Contact Material:Brass
 Contact Plating:Au or Sn Over Ni
 Insulator Material:LCP+30%G.F UL94V-0 BK

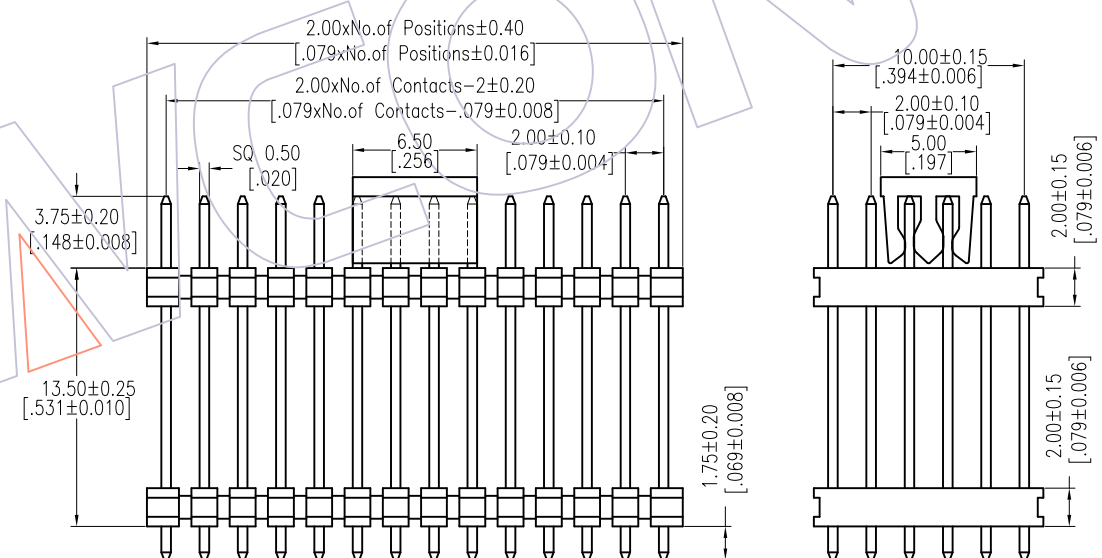
Recommended P.C.B Layout (Top Side)
 (PCB BOARD TOLERANCE±0.05)



Ordering Information

1220-26 XX XX S 190 D R XX

| | | | | | |
|-----------------------------|---|------------------------|--------------------------------|-------------------|---------------------|
| No.of Pins Per Row:02~40 | Contact Plating G0=Gold Flash G3=10u"Gold G4=15u"Gold G5=30u"Gold S0=Gold Flash/Tin S3=10u"Gold/Tin S4=15u"Gold/Tin S5=30u"Gold/Tin SN=Tin SM=Matte Tin | Pin Length L=19.0mm | Insulator Material D=LCP | Packing R=Reel | Series No. 01-99 |
|-----------------------------|---|------------------------|--------------------------------|-------------------|---------------------|



| REV | DATE | MODIFICATION DESCRIPTION | CHANGE | OPERATION | DRAW | DATE | SCALE | Fit | PART NO. |
|-----|------------|--------------------------|--------|-------------|---------|------------|-------|-----|---|
| A1 | 2018/01/19 | Modify P/N | △ | x.X ±0.40 | Liu | 2018/01/19 | UNIT | mm | 1220-26XXXXS190DRXX △ |
| AO | 2015/07/02 | NEW | ----- | x.XX ±0.25 | CHECK | DATE | SIZE | A4 | TITLE: PH2.00 SIX ROW DOUBLE PLASTIC 180° H=2.5 |
| | | | | x.XXX ±0.15 | APPROVE | DATE | SHEET | 1/1 | Customer NO. |
| | | | | Angle ± 3' | | | PROJ. | | |
| | | | | DIM TOL | | | | | |

WCON
 Http: www.wcon.com

| | |
|---|--|
| WCON-Dongguan Tel: +86 769 85358920 Fax: +86 769 85358915 E-mail: sales@wcon.com | WCON-Kunshan Tel: +86 512 57468408 Fax: +86 512 57468468 E-mail: salesks@wcon.com |
|---|--|