

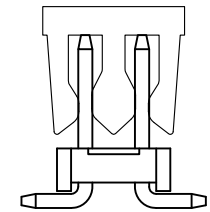
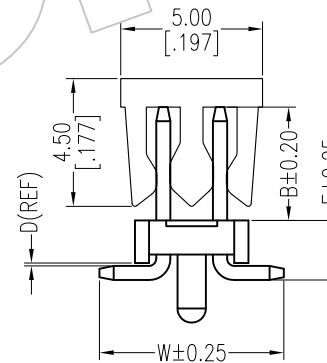
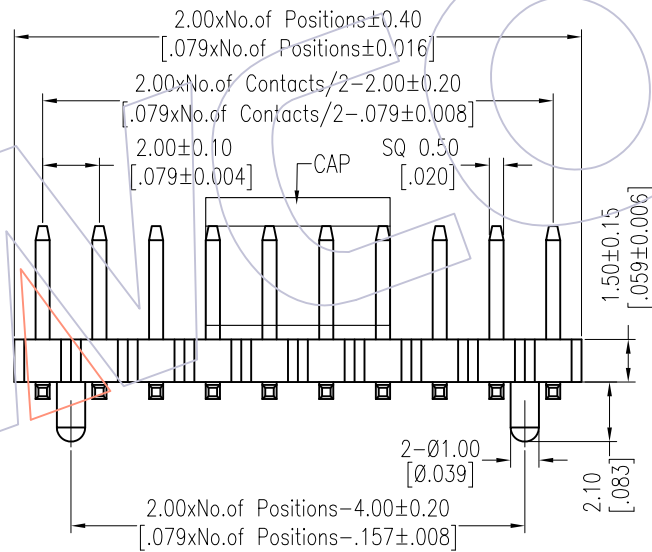
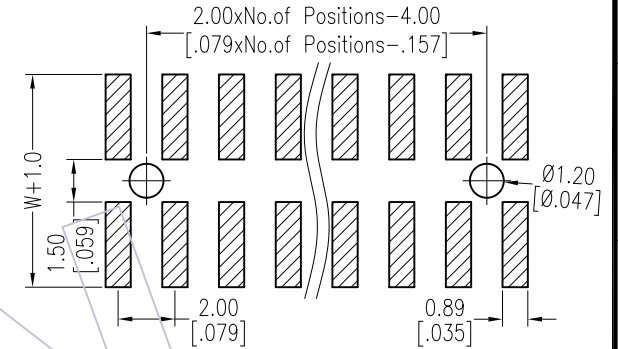
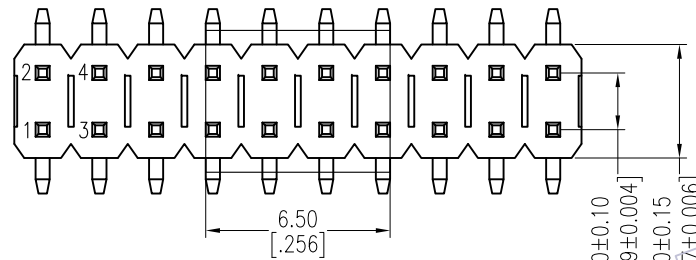
HSF

NOTES:

Rated Current:2.0AMP.
 Contact Resistance:20mΩ Max.
 Withstand Voltage:500V AC/DC
 Insulation Resistance:1000MΩ Min.
 Operation Temperature:-40°C to +105°C

Contact Material:Brass
 Contact Plating:Au or Sn Over Ni
 Insulator Material:PA9T+33%G.F UL94V-0 BK

Recommended P.C.B Layout (Top Side)
 (PCB BOARD TOLERANCE±0.05)



TYPE 2 WITH POST

TYPE 1 W/O POST

Ordering Information

1215-12 XX XX M XXX C R XX

No.of Pins Per Row:02~50	Contact Plating	Pin Length L=B+D+1.5+ $\frac{W^2}{2}$	Insulator Material	Packing	Series No.
	G0=Gold Flash	Standard:058=5.8	C=PA9T	T=Tube	01~99
	G3=10u"Gold	068=6.8		P=Tube+CAP	
	G4=15u"Gold	078=7.8		R=Tape&Reel+CAP	
	G5=30u"Gold				
	S0=Gold Flash/Tin				
	S3=10u"Gold/Tin				
	S4=15u"Gold/Tin				
	S5=30u"Gold/Tin				
	SN=Tin				
	SM=Matte Tin				

Item	Pin Length	W	E	B	Mating
Standard	5.80	6.50	2.10	2.00	2220T 2221 2227T 2228
	6.80	6.50	2.10	3.00	2235
	7.80	6.50	2.10	4.00	2240 2243 2263 2272
Alternate					

OPERATION	DRAW	DATE	SCALE	Fit	PART NO.
x.X ±0.40	lu	2018.01.18	UNIT	mm	1215-12XXXXMXXXCX XX
x.XX ±0.25	CHECK	DATE	SIZE	A4	TITLE: PH2.00 DUAL ROW SMT H=1.5
x.XXX ±0.15	APPROVE	DATE	SHEET	1/1	Customer NO.
Angle ± 3'			PROJ.		
DIM TOL					

REV	DATE	MODIFICATION DESCRIPTION	CHANGE
A1	2018/01/18	Modify P/N	
AO	2012/04/18	NEW	

WCON

Http: www.wcon.com

WCON-Dongguan Tel: +86 769 85358920 Fax: +86 769 85358915 E-mail: sales@wcon.com
 WCON-Kunshan Tel: +86 512 57468408 Fax: +86 512 57468468 E-mail: salesks@wcon.com