

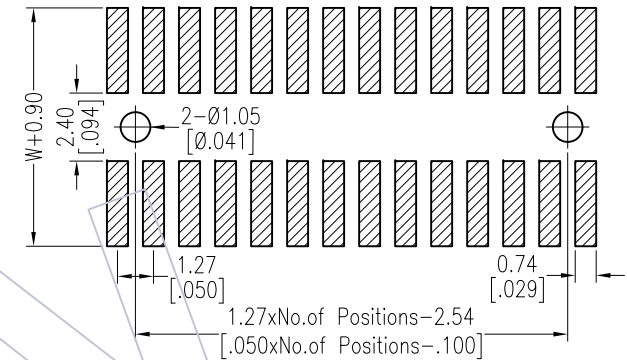
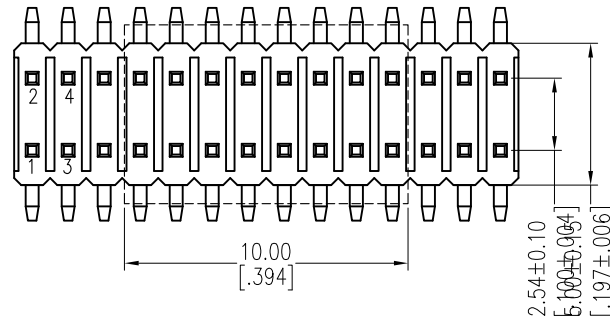
HSF

NOTES:

Rated Current:1.0AMP.
 Contact Resistance:20mΩ Max.
 Withstand Voltage:500V AC/DC
 Insulation Resistance:1000MΩ Min.
 Operation Temperature:-40°C to +105°C

Contact Material:Brass
 Contact Plating:Au or Sn Over Ni
 Insulator Material:PA9T+33%G.F UL94V-0 BK

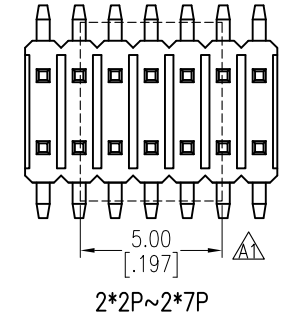
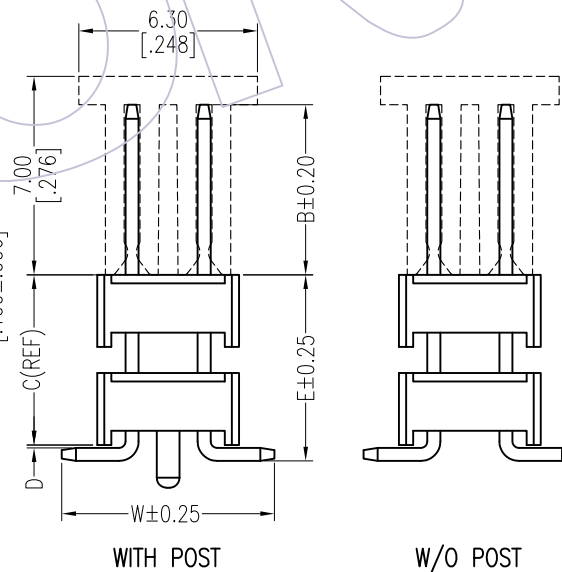
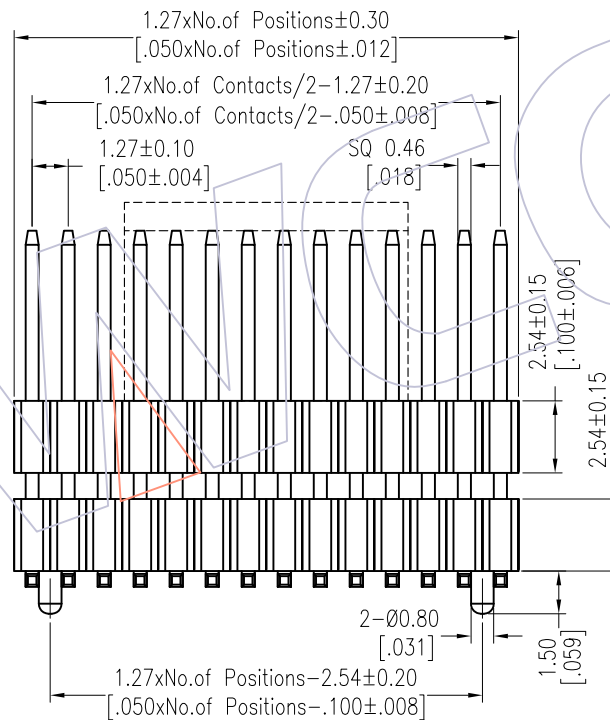
Recommended P.C.B Layout (Top Side)
 (PCB BOARD TOLERANCE±0.05)



Ordering Information

1425-22 XX XX M XXX C R XX

No. of Pins Per Row:02~50	Contact Plating G0=Gold Flash G3=10u"Gold G4=15u"Gold G5=30u"Gold S0=Gold Flash/Tin S3=10u"Gold/Tin S4=15u"Gold/Tin S5=30u"Gold/Tin SN=Tin SM=Matte Tin	Pin Length L=B+C+D+W-2.54	Insulator C=PA9T	Series No. 01~99	Packing T=Tube P=Tube+CAP R=Tape&Reel+CAP
------------------------------	---	------------------------------	---------------------	---------------------	--



Item	Pin Length	W	D	B	E	Mating
Standard	--	7.50	0.10	2.80	--	2446
	--	7.50	0.10	6.00	--	2485
Alternate						

REV	DATE	MODIFICATION DESCRIPTION	CHANGE	OPERATION	DRAW	DATE	SCALE	Fit	PART NO.
A2	2018/01/12	MODIFY PART NO.	-----	x.X ±0.40	William Chen	2018/01/12	UNIT	mm [inch]	1425-22XXXXMXXXCXXX
A1	2012/09/20	Modify Drawing	-----	x.XX ±0.25	CHECK	DATE	SIZE	A4	TITLE: 1.27*2.54 Pin Header, DUAL ROW, SMT, DOUBLE PLASTIC, H=2.54
A0	2012/04/06	NEW	-----	x.XXX ±0.15	APPROVE	DATE	SHEET	1/1	Customer NO.
				Angle ± 3'			PROJ.		
				DIM TOL					

WCON

Http: www.wcon.com

WCON-Dongguan Tel: +86 769 85358920 Fax: +86 769 85358915 E-mail: sales@wcon.com	WCON-Kunshan Tel: +86 512 57468408 Fax: +86 512 57468468 E-mail: sales@wcon.com
---	--