

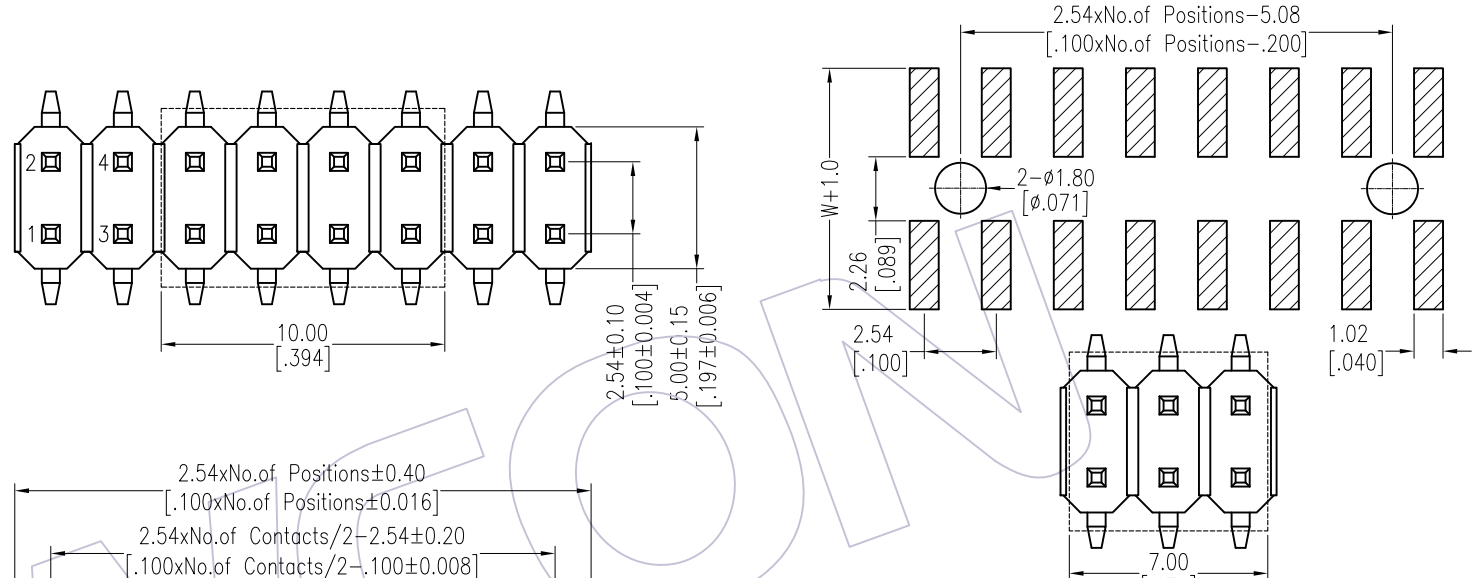
# HSF

**NOTES:**

Rated Current:3.0AMP.  
 Contact Resistance:20mΩ Max.  
 Withstand Voltage:1000V AC/DC  
 Insulation Resistance:1000MΩ Min.  
 Operation Temperature:-40°C to +105°C

Contact Material:Brass  
 Contact Plating:Au or Sn Over Ni  
 Insulator Material:PA9T+33%G.F UL94V-0 BK

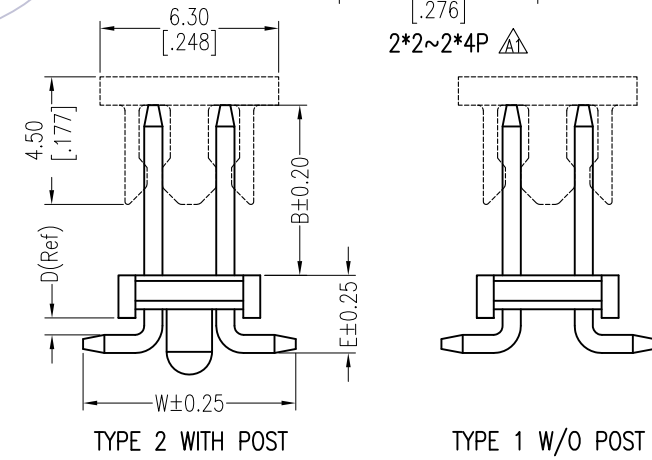
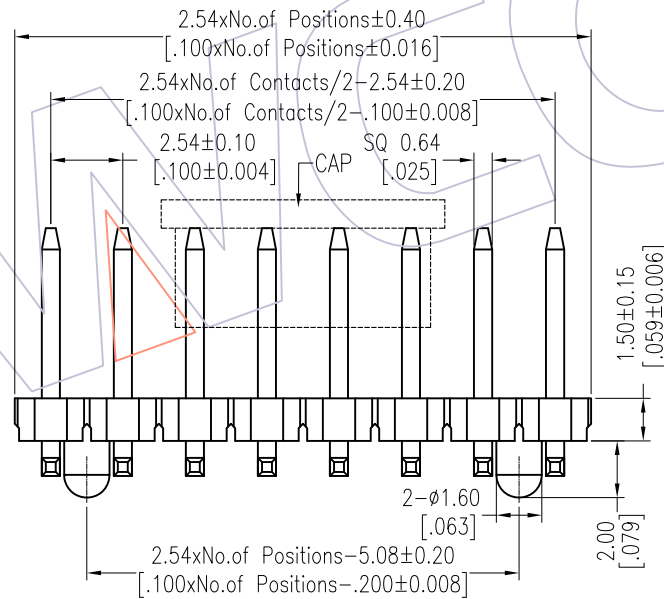
Recommended P.C.B Layout (Top Side)  
 (PCB BOARD TOLERANCE±0.05)



## Ordering Information

1115-12 XX XX M XXX C R XX  $\Delta 2$

No.of Pins Per Row: 02~40	Contact Plating G0=Gold Flash G3=10u"Gold G4=15u"Gold G5=30u"Gold S3=10u"Gold/Tin S4=15u"Gold/Tin S5=30u"Gold/Tin SN=Tin SM=Matte Tin	Pin Length $L=B+D+1.5+\frac{W-2.54}{2}$ Standard:106=10.6	Insulator Material C=PA9T	Packing T=Tube P=Tube+CAP R=Tape & Reel+CAP	Series No. 01-99
------------------------------	--	---	------------------------------	--	---------------------



Item	Pin Length	W	E	B	Mating
Standard	10.60	7.50	2.74	6.00	2171 2185
Alternate					

REV	DATE	MODIFICATION DESCRIPTION	CHANGE	OPERATION	DRAW	DATE	SCALE	Fit	PART NO.
A2	2018/01/22	Modify P/N	$\Delta 2$	x.X ±0.40	Ruipeng	2018/01/22	UNIT	mm	1115-12XXXXMXXXXCRXX
A1	2012/10/31	Modify Drawing	-----	x.XX ±0.25	CHECK	DATE	SIZE	A4	TITLE: PH2.54 DUAL ROW SMT H=1.5
A0	2012/05/02	NEW	-----	x.XXX ±0.15	APPROVE	DATE	SHEET	1/1	Customer NO.
				Angle ± 3'			PROJ.		
				DIM TOL					

**WCON**  
 Http: www.wcon.com

WCON-Dongguan Tel: +86 769 85358920 Fax: +86 769 85358915 E-mail: sales@wcon.com	WCON-Kunshan Tel: +86 512 57468408 Fax: +86 512 57468468 E-mail: sales@wcon.com
---	--