

# HSF

Recommended P.C.B Layout (Top Side)  
(PCB BOARD TOLERANCE±0.05)

**NOTES:**

Rated Current:3.0AMP.  
 Contact Resistance:20mΩ Max.  
 Withstand Voltage:1000V AC/DC  
 Insulation Resistance:1000MΩ Min.  
 Operation Temperature:-40°C to +105°C  
 Contact Material:Brass  
 Contact Plating:Sn or Au Over Ni  
 Insulator Material:PA9T+30%G.F UL94V-0 BK



## Ordering Information

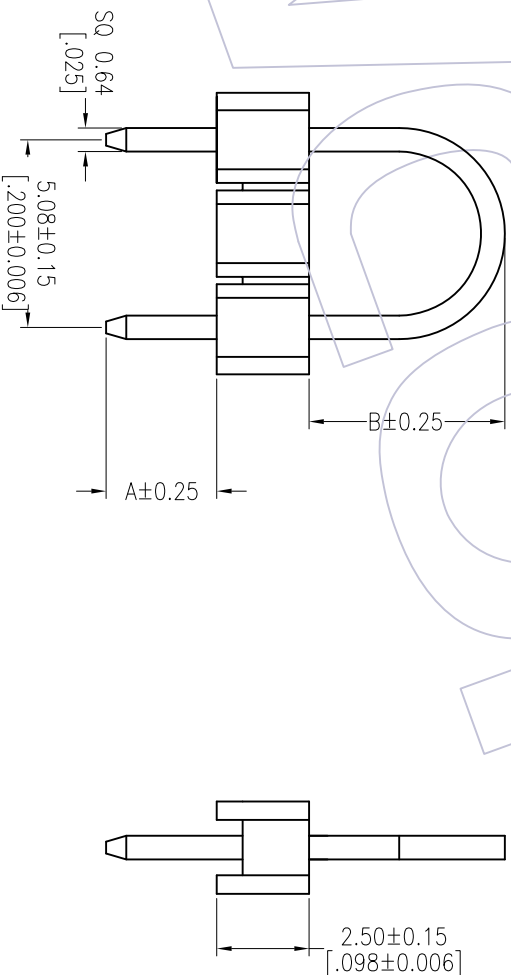
1125-11 03 XX U XXX 0 1

No. of Pins  
03P

Contact Plating  
G0=Gold Flash  
G1=3μ"Gold  
G2=5μ"Gold  
G3=10μ"Gold  
G4=15μ"Gold  
G5=30μ"Gold  
SN=Tin

Pin Length  
0=PE Bag

Packaging  
0=PE Bag



OPERATION	DRAW	DATE	SCALE	PART NO.	<b>WCON</b> Http: www.wcon.com WCON-Dongguan Tel: +86 769 85358920 Fax: +86 769 85358915 E-mail: sales@wcon.com WCON-Kunshan Tel: +86 512 57468408 Fax: +86 512 57468468 E-mail: sales@wcon.com
XX	JYHuang	2014/02/14	Fit	1125-1103XXUXXX0X	
X.XX	CHECK	DATE	UNIT	TITLE:	
X.XXX	±0.15	DATE	mm	PH2.54 1*3P 180° H=2.5 U TYPE	
Angle	APPROVE	DATE	SHEET	Customer NO.	
DIM	TOL	DATE	1/1		
CHANGE			PROJ.		

REV	DATE	MODIFICATION DESCRIPTION
A0	2014/02/14	NEW

1 2 3 4 5 6 7 8 9 10

H G F E D C B A