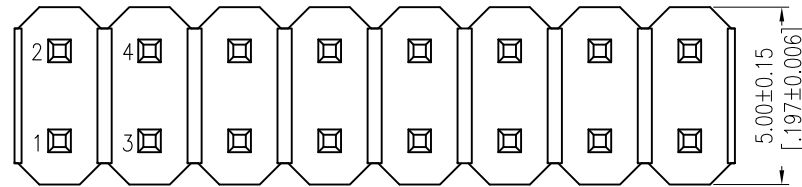


HSF

Recommended P.C.B Layout (Top Side)
(PCB BOARD TOLERANCE±0.05)

NOTES:
Rated Current:3.0AMP.
Contact Resistance:20mΩ Max.
Withstand Voltage:1000V AC/DC
Insulation Resistance:1000MΩ Min.
Operation Temperature:-40°C to +105°C

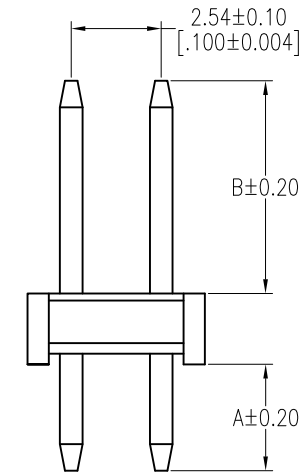
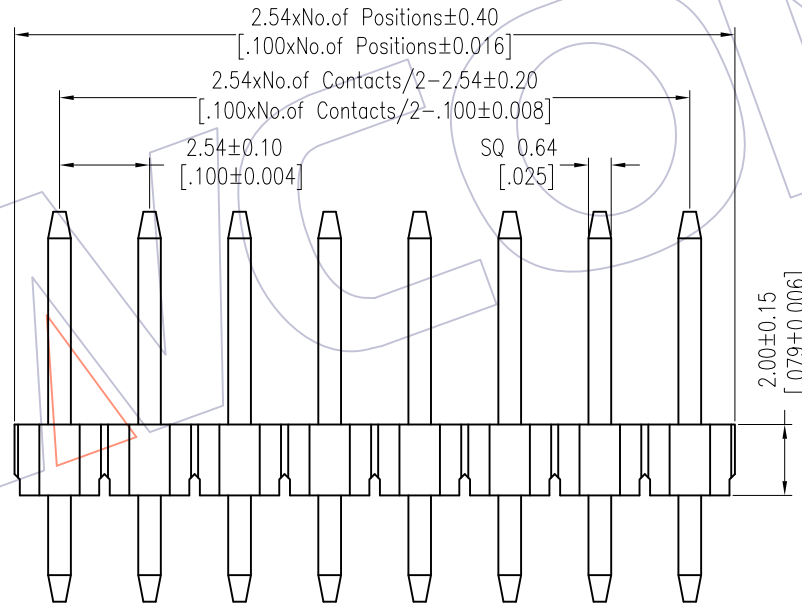


Contact Material:Brass
Contact Plating:Au or Sn Over Ni
Insulator Material:PA9T+33%G.F UL94V-0 BK

Ordering Information

1120-12 XX XX S XXX C 0 XX A1

No. of Pins Per Row:02-40	Contact Plating G0=Gold Flash G3=10u"Gold G4=15u"Gold G5=30u"Gold	Pin Length L=A+B+2.0 Standard:110=11.0	Insulator Material C=PA9T	Packing 0=PE Bag T=Tube	Series No. 01-99
S3=10u"Gold/Tin S4=15u"Gold/Tin S5=30u"Gold/Tin SN=Tin SM=Matte Tin					



REV	DATE	MODIFICATION DESCRIPTION	CHANGE	OPERATION	DRAW	DATE	SCALE	Fit	PART NO.
A1	2018/01/22	Modify P/N	A1	x.x ±0.40	Ruipeng	2018/01/22	UNIT	mm	1120-12XXXXXXCOXX
A0	2012/05/07	NEW	-----	x.xx ±0.25	CHECK	DATE	SIZE	A4	TITLE:
				x.xxx ±0.15	APPROVE	DATE	SHEET	1/1	PH2.54 DUAL ROW 180° H=2.0
				Angle ± 3'			PROJ.	Customer NO.	
				DIM TOL					

WCON

Http: www.wcon.com

WCON-Dongguan Tel: +86 769 85358920 Fax: +86 769 85358915 E-mail: sales@wcon.com	WCON-Kunshan Tel: +86 512 57468408 Fax: +86 512 57468468 E-mail: salesks@wcon.com
---	--