

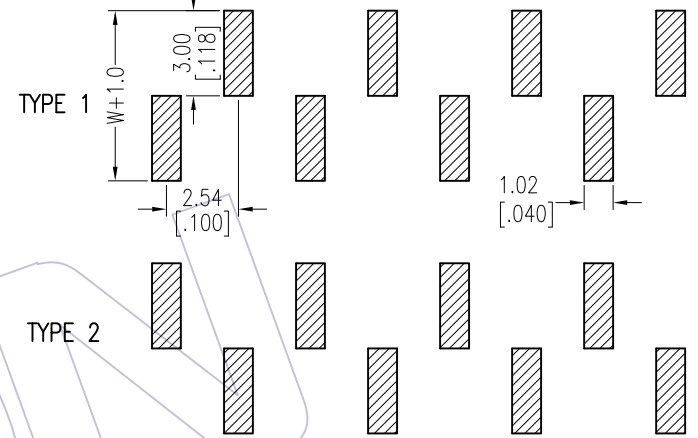
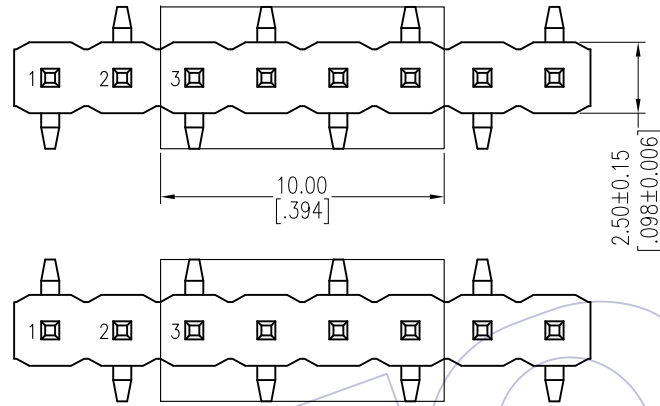
HSF

NOTES:

Rated Current:3.0AMP.
 Contact Resistance:20mΩ Max.
 Withstand Voltage:1000V AC/DC
 Insulation Resistance:1000MΩ Min.
 Operation Temperature:-40°C to +105°C

Contact Material:Brass
 Contact Plating:Au or Sn Over Ni
 Insulator Material:PA9T+33%G.F UL94V-0 BK

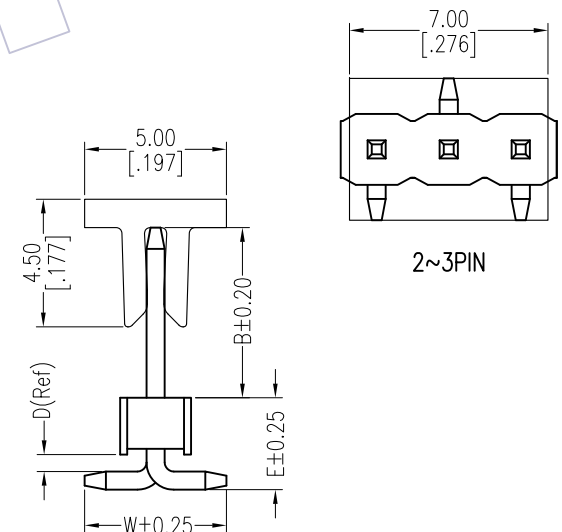
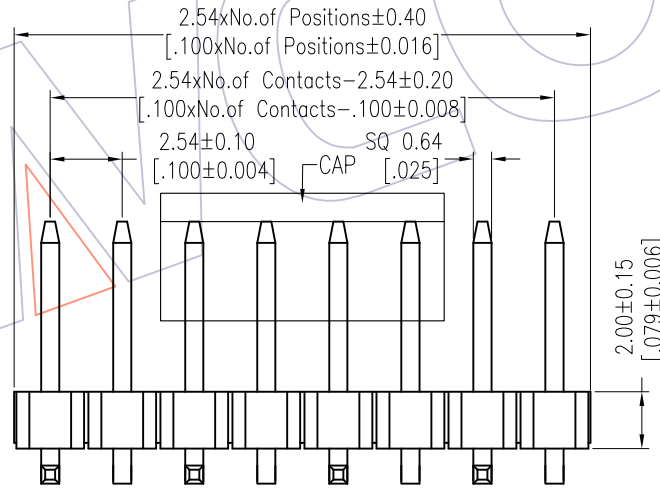
Recommended P.C.B Layout (Top Side)
 (PCB BOARD TOLERANCE±0.05)



Ordering Information

1120-11 XX XX M XXX C R XX \triangle

No. of Pins 02-40	Contact Plating G0=Gold Flash G3=10u"Gold G4=15u"Gold G5=30u"Gold S0=Gold Flash/Tin S3=10u"Gold/Tin S4=15u"Gold/Tin S5=30u"Gold/Tin SN=Tin SM=Matte Tin	Pin Length L=B+D+2.0+ $\frac{W}{2}$ Standard:111=11.1	Insulator Material C=PA9T	Packing T=Tube P=Tube+CAP R=Tape & Reel+CAP	Series No. 01-99
----------------------	---	---	------------------------------	---	---------------------



Item	Pin Length	W	E	B	Mating
Standard	11.10	5.00	3.24	6.00	2171 2185
Alternate					

REV	DATE	MODIFICATION DESCRIPTION	CHANGE	OPERATION		DRAW	DATE	SCALE	Fit	PART NO.
				DIM	TOL					
				x.X	±0.40	Ruipeng	2018/01/22		mm	1120-11XXXXMXXXXCRXX
A1	2018/01/22	Modify P/N	\triangle	x.XX	±0.25	CHECK	DATE		A4	TITLE: PH2.54 SINGLE ROW SMT H=2.0
A0	2012/05/07	NEW	----	x.XXX	±0.15	APPROVE	DATE		1/1	Customer NO.

WCON

Http: www.wcon.com

WCON-Dongguan Tel: +86 769 85358920 Fax: +86 769 85358915 E-mail: sales@wcon.com	WCON-Kunshan Tel: +86 512 57468408 Fax: +86 512 57468468 E-mail: salesks@wcon.com
---	--