

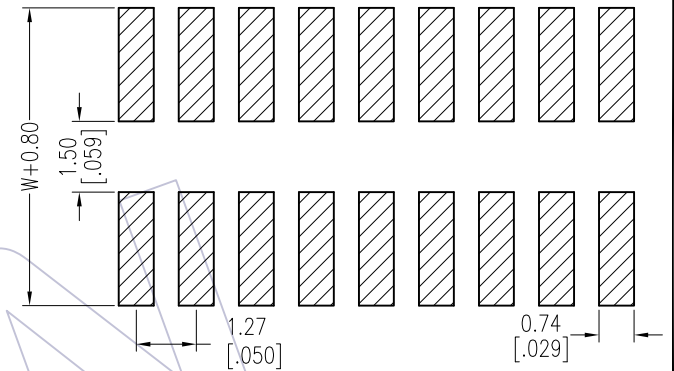
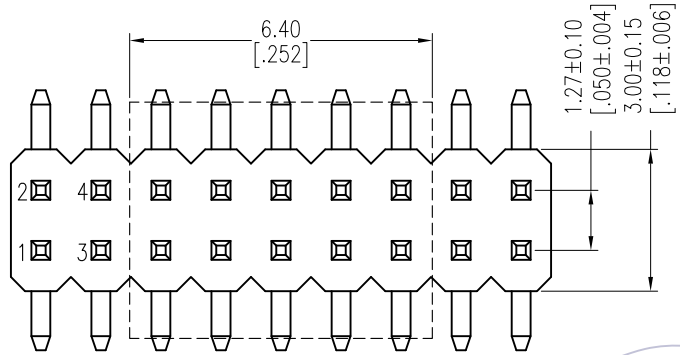
HSF

NOTES:

Rated Current:1.0AMP.
 Contact Resistance:20mΩ Max.
 Withstand Voltage:500V AC/DC
 Insulation Resistance:1000MΩ Min.
 Operation Temperature:-40°C to +105°C

Contact Material:Brass
 Contact Plating:Au or Sn Over Ni
 Insulator Material:PA9T+33%G.F UL94V-0 BK

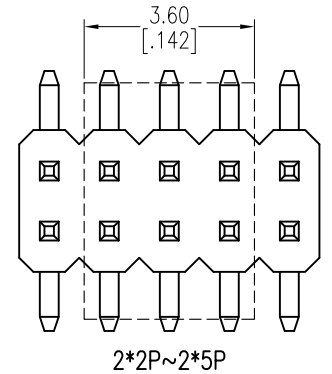
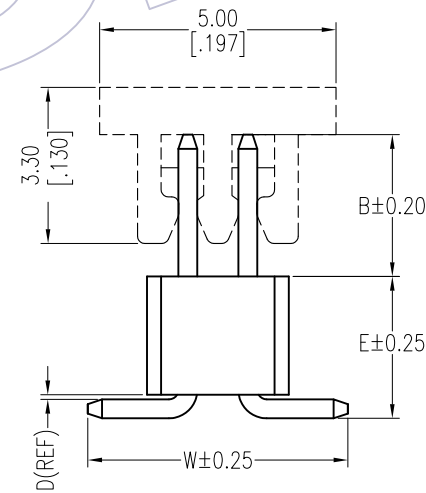
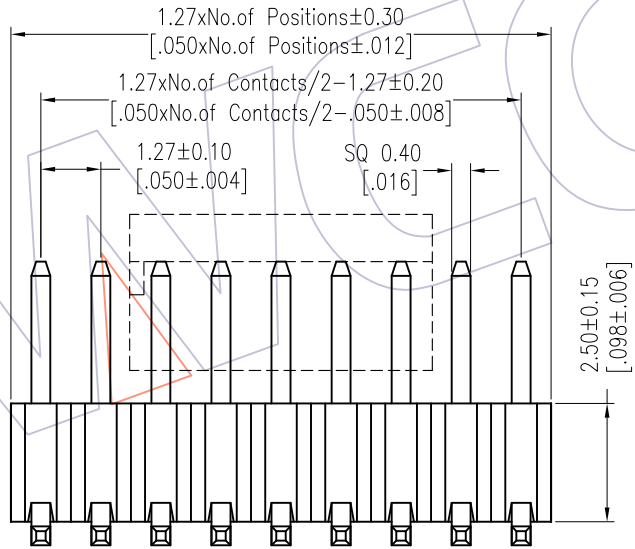
Recommended P.C.B Layout (Top Side)
 (PCB BOARD TOLERANCE±0.05)



Ordering Information

1325-12 XX XX M XXX C R XX

No. of Pins	Contact Plating	Pin Length	Insulator	Series No.
Per Row:02~50	G0=Gold Flash	L=B+D+2.5+ $\frac{W-1.27}{2}$	C=PA9T	01~99
	G3=10u"Gold	Standard:066=6.6		
	G4=15u"Gold	077=7.7	Packing	
	G5=30u"Gold	087=8.7	A=Tray	
	S0=Gold Flash/Tin		T=Tube	
	S3=10u"Gold/Tin		P=Tube+CAP	
	S4=15u"Gold/Tin		R=Tape&Reel+CAP	
	S5=30u"Gold/Tin			
	SN=Tin			
	SM=Matte Tin			



Item	Pin Length	W	E	B	Mating
Standard	6.6	5.50	3.00	1.90	2321
	7.7	5.50	3.00	3.00	2334
	8.7	5.50	3.00	4.00	2344
Alternate					

OPERATION	DRAW	DATE	SCALE	Fit	PART NO.
x.X ±0.40	William Chen	2018/01/18	UNIT	mm [inch]	1325-12XXXXMXXXCXXX
x.XX ±0.25	CHECK	DATE	SIZE	A4	TITLE:
x.XXX ±0.15	APPROVE	DATE	SHEET	1/1	1.27 Pin Header, DUAL ROW, SMT, WITHOUT POST, H=2.5
Angle ± 3'			PROJ.		Customer NO.
DIM TOL					

WCON
 Http: www.wcon.com

WCON-Dongguan
 Tel: +86 769 85358920
 Fax: +86 769 85358915
 E-mail: sales@wcon.com

WCON-Kunshan
 Tel: +86 512 57468408
 Fax: +86 512 57468468
 E-mail: salesks@wcon.com

REV	DATE	MODIFICATION DESCRIPTION	CHANGE
A1	2018/01/18	MODIFY PART NO.	-----
A0	2012/03/31	NEW	-----