

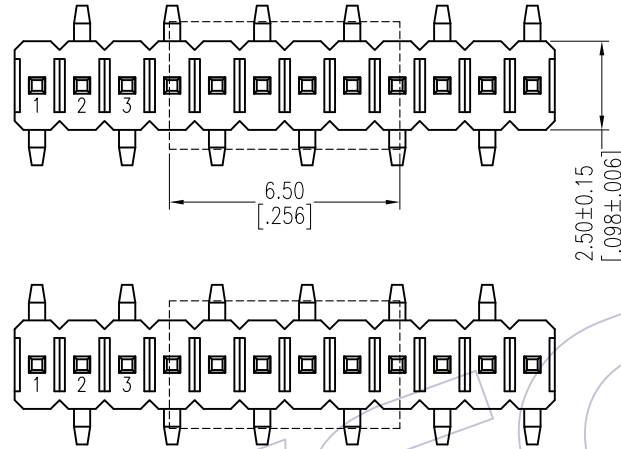
# HSF

**NOTES:**

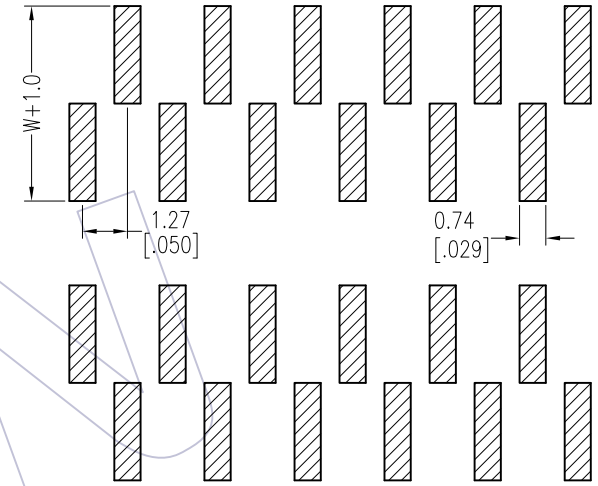
Rated Current:1.0AMP.  
 Contact Resistance:20mΩ Max.  
 Withstand Voltage:500V AC/DC  
 Insulation Resistance:1000MΩ Min.  
 Operation Temperature:-40°C to +105°C

Contact Material:Brass  
 Contact Plating:Au or Sn Over Ni  
 Insulator Material:PA9T+33%G.F UL94V-0 BK

Recommended P.C.B Layout (Top Side)  
 (PCB BOARD TOLERANCE±0.05)



TYPE-1

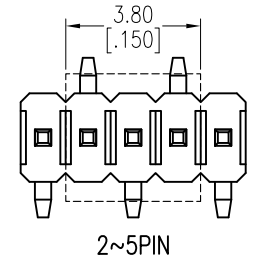
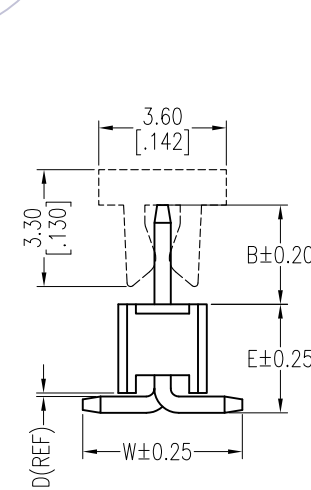
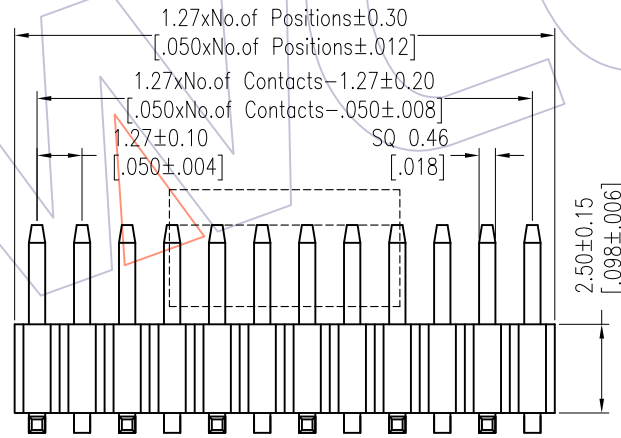


TYPE-2

## Ordering Information

1325-11 XX XX M XXX C R XX

No.of Pins	Contact Plating	Pin Length	Insulator	Packing	Series No.
02-50	G0=Gold Flash	L=B+D+2.5+ $\frac{W}{2}$	C=PA9T	A=Tray	01-99
	G3=10u"Gold	Std:076=7.6		T=Tube	
	G4=15u"Gold	108=10.8		P=Tube+CAP	
	G5=30u"Gold			R=Tape&Reel+CAP	
	S0=Gold Flash/Tin				
	S3=10u"Gold/Tin				
	S4=15u"Gold/Tin				
	S5=30u"Gold/Tin				
	SN=Tin				
	SM=Matte Tin				



Item	Pin Length	W	E	B	Mating
Standard	7.6	4.50	3.06	2.80	2346
	10.8	4.50	3.06	6.00	2385
Alternate					

OPERATION	DRAW	DATE	SCALE	Fit	PART NO.
x.X ±0.40	William Chen	2018/01/18	UNIT	mm [inch]	1325-11XXXXMXXXCXXX
x.XX ±0.25	CHECK	DATE	SIZE	A4	TITLE:
x.XXX ±0.15	APPROVE	DATE	SHEET	1/1	1.27 Pin Header, SINGLE ROW, SMT, H=2.5
Angle ± 3'			PROJ.		Customer NO.
DIM TOL					

# WCON

Http: www.wcon.com

WCON-Dongguan Tel: +86 769 85358920  
 WCON-Kunshan Tel: +86 512 57468408  
 Fax: +86 769 85358915  
 Fax: +86 512 57468468  
 E-mail: sales@wcon.com  
 E-mail: salesks@wcon.com

REV	DATE	MODIFICATION DESCRIPTION	CHANGE
A1	2018/01/18	MODIFY PART NO.	-----
AO	2012/03/31	NEW	-----